

STEP LIGHTS RPS Trimless

A2W22



Fixture Type: _____

Catalog Number: _____

Project: _____

Location: _____

FINISHES

WT



Model	Forward Voltage	Max Drive Current	Max # of Fixture	Beam	Color Temp	Lumen	Finish
A2W22 (Square Trimless)	6V	300mA	7 per Channel	82	27 2700K 30 3000K	58	WT White

Example: A2W22-30WT

*AiSPIRE RPS Required, Sold Separately

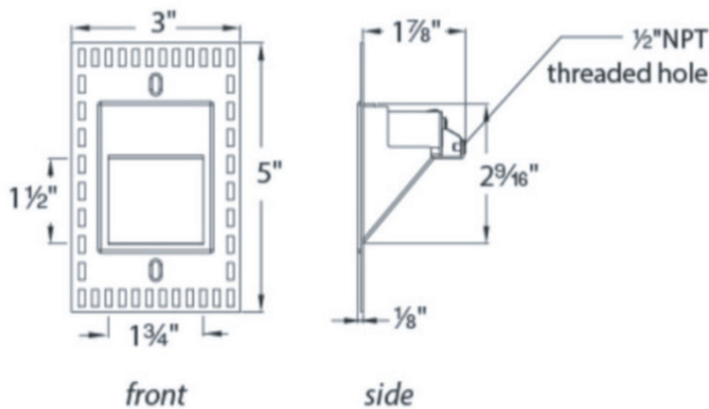
DESCRIPTION

With a sleek profile and no visible hardware, Step and Wall Lights are designed to seamlessly blend into any architecture. These luminaires offer enhanced energy-efficient functionality and optimized light output to adequately illuminate stairs, walls and walkways with little or no glare.

FEATURES

- Can be painted to match the color of the surface
- Low profile, flush to wall aesthetics with no visible hardware
- Balanced lighting, free of shadows with minimum glare
- 5 year warranty

LINE DRAWING



SPECIFICATIONS

- Construction:** Die-cast aluminum or 316 marine grade cast stainless steel
- Power:** Direct wiring, no remote driver needed. Input voltage: Class 2 Low Voltage, DC power
- Dimming:** Refer to RPS specifications for protocol and compatibility
- CRI:** 90
- Mounting:** Fits into 2" x 4" J-Box with minimum inside dimensions of 3"L x 2"W x 2"H. Includes bracket for J-Box mount.
- Standards:** IP66, UL & cUL Listed for wet locations, Title 24 JA8-2019 Compliant.
- Operating Temp:** -4°F to 104°F (-20°C to 40°C)

STEP LIGHTS RPS Trimless

A2W22



* See RPS spec sheet for wiring diagram

INPUT

Voltage Range:	120VAC
Frequency Range:	50/60Hz
Power Factor:	0.99 @100VAC
THD:	<15% @full load
Current:	0.9A @100VAC
Standby Power Consumption:	<0.5w

OUTPUT

LED Channels:	A2D20-BK: 4 Channels A2D40-BK: 8 Channels
Selectable Current:	250mA, 300mA, 350mA, 400mA, 450mA, 500mA, 600mA, 700mA, 800mA, 900mA, 1A, 1.1A, 1.2A, 1.3A, 1.4A, 1.5A
DC Voltage Range:	6-48VDC
Current Tolerance:	± 3%
Rated Power:	72W per channel 75W max (per 2-channel output)

Model	# of channels	Finish
A2D20 2 x 75W Class 2 output DMX LED power unit	4	BK Black
A2D40 4 x 75W Class 2 output DMX LED power unit	8	

Example: A2D20-BK

FINISHES



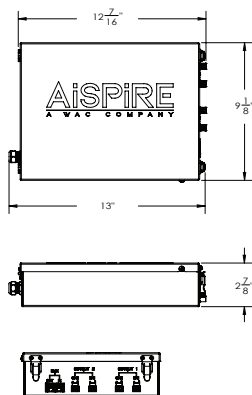
Black

FEATURES

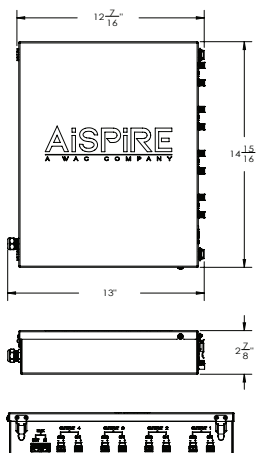
- 75W Max. Output Power (Per DMX Power Unit)
- 250mA-1500mA output current selection
- Class 2 power supply
- Built-in DMX512 interface
- IP20 rating
- UL Damp location listed

LINE DRAWING

A2D20 - 4 Channel



A2D40 - 8 Channel



CONTROL

Control Protocol:	DMX 512-A, DMX 512
Diming Range:	0%-100%
Control Input:	DMX RJ45
Dimming Curve:	Linear/Logarithm (Selectable)

PROTECTION

Short Circuit, Voltage, Over Temp: Recovers automatically after fault condition is removed

ENVIRONMENT

Ambient Operating Temp: -4°F - 113°C (-20°F - 45°C)

SAFETY & EMC

- Safety Standard: UL 2018, Damp Location
- EMC Emission: FCC Part 15 Class B
- Surge Immunity: Line-Line 1 kV

aispire.com
Phone (800) 568.2005
Fax (800) 526.2585

Headquarters, East Manufacturing Facility
44 Harbor Park Drive
Port Washington, NY 11050

South East Manufacturing Facility
1600 Distribution Ct
Lithia Springs, GA 30122

Central Manufacturing Facility
1700 South J Elmer Freeway, Ste 100
Cedar Hill, TX 75104

West Manufacturing Facility
1750 S Archibald Ave
Ontario, CA 91761