

A1RT-W56A-C2

QUARTUS ATMOSPHERE 4" - Square Wall Wash Trim



Fixture Type:

Catalog Number:

Project: _____

Location: _____

PRODUCT DESCRIPTION

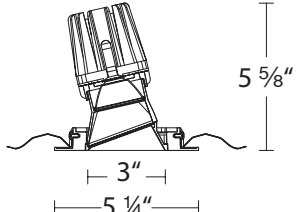
QUARTUS ATMOSPHERE recessed luminaires merge quality and value with the latest tunable white technology to demonstrate the beauty and power of 90 CRI illumination. The 4" aperture size features a robust lumen output for larger spaces with higher ceilings. The fixtures are also ideal for sunrise/sunset scenes, as well as accenting artwork, furniture and architectural decor while creating personalized and meaningful experiences for your clients.

FEATURES

- Two-piece die-cast construction
- Light engine mounted on trim with springs for easy replacement
- Designed for even wall illumination both vertically and horizontally
- 8 year product warranty

SPECIFICATIONS

- Construction:** Durable die-cast aluminum construction
- Input:** Universal 120-277V AC 50/60 Hz
- Dimming:** 2-channel DMX512-A RDM: 100-0.1%
- Light Source:** 3-step Mac Adam Ellipse Tunable White COB
Rated life of 50,000 hours at L70
- Mounting:** Heavy gauge retention clips support trim firmly. Safety cabling standard.
- Finish:** Electrostatically powder coated White, Black, Dark Bronze. Enamel coated Haze.
- Standards:** ETL & cETL Wet Location Listed

	Model	Beam	*Lumens	*CBCP	Color Temp	CRI	Finishes	Reflector/Trim
	A1RT-W56A Square Trim	A Asym	1080	N/A	C2 1800K - 4000K	90	BK DB HZWT WT	Black Dark Bronze Haze/White White

A1RT-W56A-C2__

Example: A1RT-W56A-C2WT

*Lumens shown in the table are reference values for 3000K trim with 3 housing. Use multiplier table below to determine the output for other combinations.

LUMENS AND CBPC MULTIPLIER						
Housing Power Level	Color Temperature					
	1800K	2200K	2700K	3000K	3500K	4000K
1 (14W)	0.42	0.48	0.53	0.56	0.59	0.63
2 (19W)	0.59	0.67	0.74	0.78	0.83	0.88
3 (26W)	0.76	0.86	0.95	1.00	1.07	1.13

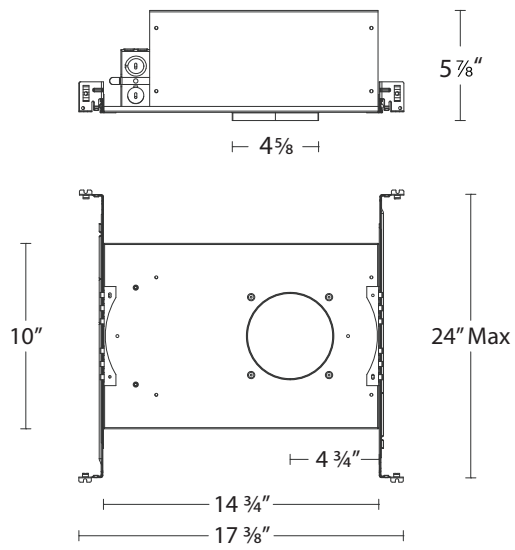
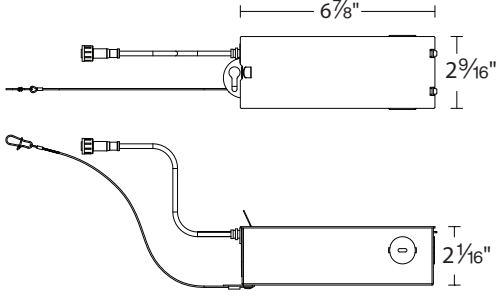
Please see next page for housing units (required)

aispire.com	Headquarters	Georgia Distribution Center	Texas Distribution Center	California Distribution Center
Phone (800) 526.2588	44 Harbor Park Drive,	1600 Distribution Ct,	1700 S J Elmer Weaver Fwy Suite 100,	1750 S Archibald Ave,
Fax (800) 526.2585	Port Washington, NY 11050	Lithia Springs, GA 30122	Cedar Hill, TX 75104	Ontario, CA 91761

A1RT-W56A-C2

QUARTUS ATMOSPHERE 4" - Square Wall Wash Trim

HOUSING (Required)

		<i>Model</i>	<i>Power</i>
<p>New Construction IC Airtight</p>		<p>A1RT-2661-C2 A1RT-2662-C2 A1RT-2663-C2</p>	<p>14W IC 19W IC 26W IC</p>
<p>Remodel Non-IC</p>		<p>A1RT-3661-C2 A1RT-3662-C2 A1RT-3663-C2</p>	<p>14W Non-IC 19W Non-IC 26W Non-IC</p>

A1RT-____-C2

Example: **A1RT-2661-C2**