

# A1RT-D57M-C2

## QUARTUS ATMOSPHERE 4" - Square Downlight Trimless



Fixture Type:

Catalog Number:

Project: \_\_\_\_\_

Location: \_\_\_\_\_

### PRODUCT DESCRIPTION

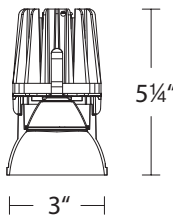
QUARTUS ATMOSPHERE recessed luminaires merge quality and value with the latest tunable white technology to demonstrate the beauty and power of 90 CRI illumination. The 4" aperture size features a robust lumen output for larger spaces with higher ceilings. The fixtures are also ideal for sunrise/sunset scenes, as well as accenting artwork, furniture and architectural decor while creating personalized and meaningful experiences for your clients.

### FEATURES

- Two-piece die-cast construction
- Light engine mounted on trim with springs for easy replacement
- 30° shielding angle design for better visual comfort
- Field changeable beam angle with reflectors provided
- Accepts one Lens or glare control accessory
- 8 year product warranty

### SPECIFICATIONS

- Construction:** Durable die-cast aluminum construction
- Input:** Universal 120-277V AC 50/60 Hz
- Dimming:** 2-channel DMX512-A RDM: 100-0.1%
- Light Source:** 3-step Mac Adam Ellipse Tunable White COB  
Rated life of 50,000 hours at L70
- Mounting:** Heavy gauge retention clips support trim firmly. Safety cabling standard.
- Finish:** Electrostatically powder coated White, Black, Dark Bronze. Enamel coated Haze.
- Standards:** ETL & cETL Wet Location Listed, Title 24 JA8 Compliant.

	Model	Beam	*Lumens	*CBCP	Color Temp	CRI	Finishes	Reflector/Trim
	<b>A1RT-D57M</b> Square Trimless	N 27°	1575	4090	<b>C2</b> 1800K - 4000K	90	<b>BK</b> <b>DB</b> <b>HZ</b> <b>WT</b>	Black Dark Bronze Haze White
		F 42°	1650	2640				
		W 55°	1640	2012				

### A1RT-D57M-C2\_\_

Example: **A1RT-D57M-C2WT** (Beam N-42° reflector is pre-installed. Beams F-27° and W-55° reflectors are included.)

\* Lumens and CBCP are reference values for 3000K trim with 3 housing. Use multiplier table below to determine the output for other combinations.

LUMENS AND CBPC MULTIPLIER						
Housing Power Level	Color Temperature					
	1800K	2200K	2700K	3000K	3500K	4000K
<b>1 (14W)</b>	0.42	0.48	0.53	0.56	0.59	0.63
<b>2 (19W)</b>	0.59	0.67	0.74	0.78	0.83	0.88
<b>3 (26W)</b>	0.76	0.86	0.95	1.00	1.07	1.13

Please see next page for housing units (required)

aispire.com  
Phone (800) 526.2588  
Fax (800) 526.2585

**Headquarters**  
44 Harbor Park Drive,  
Port Washington, NY 11050

**Georgia Distribution Center**  
1600 Distribution Ct,  
Lithia Springs, GA 30122

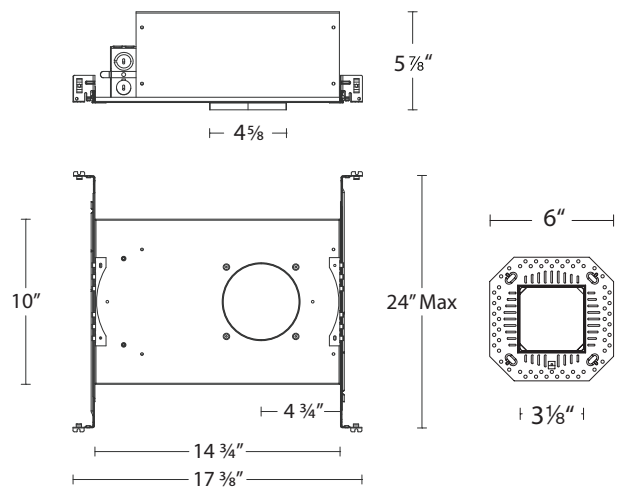
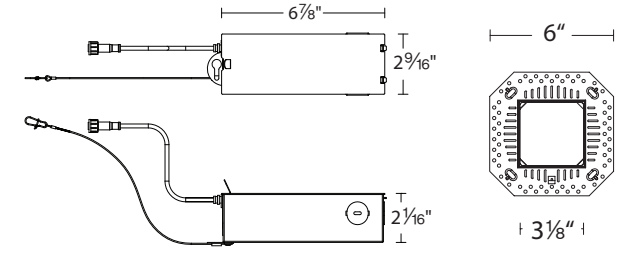
**Texas Distribution Center**  
1700 S J Elmer Weaver Fwy Suite 100,  
Cedar Hill, TX 75104

**California Distribution Center**  
1750 S Archibald Ave,  
Ontario, CA 91761

# A1RT-D57M-C2

## QUARTUS ATMOSPHERE 4" - Square Downlight Trimless

*HOUSING (Required)*

		Model	Power
<p><b>New Construction</b> <b>IC Airtight</b></p> 	<p><b>A1RT-2571-C2</b> <b>A1RT-2572-C2</b> <b>A1RT-2573-C2</b></p>	<p>14W IC 19W IC 26W IC</p>	
<p><b>Remodel</b> <b>Non-IC</b></p> 	<p><b>A1RT-3571-C2</b> <b>A1RT-3572-C2</b> <b>A1RT-3573-C2</b></p>	<p>14W Non-IC 19W Non-IC 26W Non-IC</p>	

### A1RT-\_\_\_\_-C2

Example: A1RT-2571-C2

### GLARE CONTROL ACCESSORIES

<b>LENS-16-HCM</b>	<i>Honeycomb Louver</i>
<b>LENS-16P-CRL-BK</b>	<i>Cross Louver</i>

### LENS ACCESSORIES

<b>LENS-16</b>	<b>AMB</b>	<i>Amber</i>
	<b>RED</b>	<i>Red</i>
	<b>BLU</b>	<i>Blue</i>
	<b>GRN</b>	<i>Green</i>
	<b>SPR</b>	<i>Spread</i>
	<b>BEL</b>	<i>Beam Elongating</i>