

A1RT-A57M-C2

QUARTUS ATMOSPHERE 4" - Square Adjustable Trimless



Fixture Type:

Catalog Number:

Project:

Location:

PRODUCT DESCRIPTION

QUARTUS ATMOSPHERE recessed luminaires merge quality and value with the latest tunable white technology to demonstrate the beauty and power of 90 CRI illumination. The 4" aperture size features a robust lumen output for larger spaces with higher ceilings. The fixtures are also ideal for sunrise/sunset scenes, as well as accenting artwork, furniture and architectural decor while creating personalized and meaningful experiences for your clients.

FEATURES

- Two-piece die-cast construction
- Light engine mounted on trim with springs for easy replacement
- 0-45° vertical tilting and 365° horizontal rotation
- Center beam alignment retained throughout adjustment range
- Field changeable beam angle with reflectors provided
- Accepts one Lens or glare control accessory
- 8 year product warranty

SPECIFICATIONS

- Construction:** Durable die-cast aluminum construction
- Input:** Universal 120-277V AC 50/60 Hz
- Dimming:** 2-channel DMX512-A RDM: 100-0.1%
- Light Source:** 3-step Mac Adam Ellipse Tunable White COB
Rated life of 50,000 hours at L70
- Mounting:** Heavy gauge retention clips support trim firmly. Safety cabling standard.
- Finish:** Electrostatically powder coated White, Black, Dark Bronze. Enamel coated Haze.
- Standards:** ETL & cETL Damp Location Listed, Title 24 JA8 Compliant.

Model	Model	Beam	*Lumens	*CBCP	Color Temp	CRI	Finishes	Reflector/Trim
	A1RT-A57M Square Trimless	N 27° F 42° W 55°	1155 1125 1200	3915 2495 1870	C2 1800K - 4000K	90	BK DB HZ WT	Black Dark Bronze Haze White

A1RT-A57M-C2__

Example: **A1RT-A57M-C2WT** (Beam N-27° reflector is pre-installed. Beams F-42° and W-55° reflectors are included.)

* Lumens and CBCP are reference values for 3000K trim with **3** housing. Use multiplier table below to determine the output for other combinations.

LUMENS AND CBPC MULTIPLIER						
Housing Power Level	Color Temperature					
	1800K	2200K	2700K	3000K	3500K	4000K
1 (14W)	0.42	0.48	0.53	0.56	0.59	0.63
2 (19W)	0.59	0.67	0.74	0.78	0.83	0.88
3 (26W)	0.76	0.86	0.95	1.00	1.07	1.13

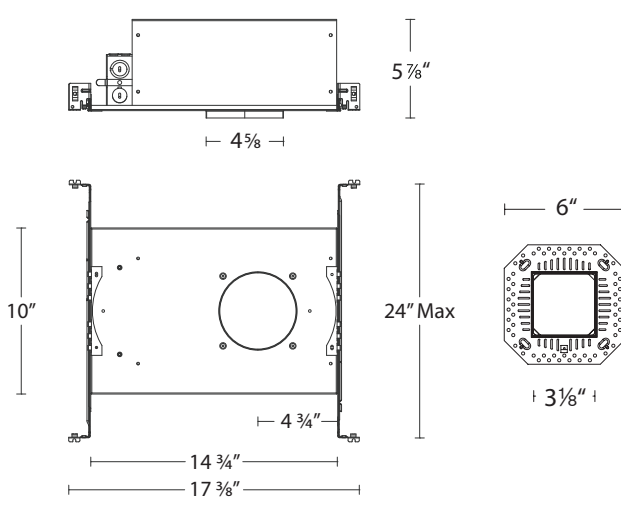
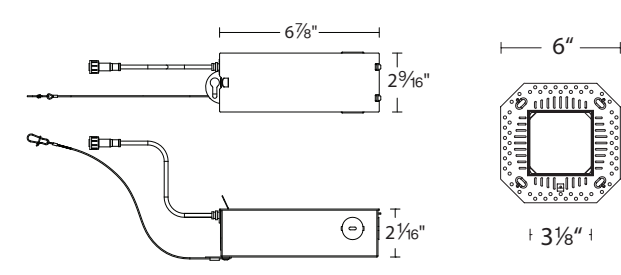
Please see next page for housing units (required)

aispire.com	Headquarters	Georgia Distribution Center	Texas Distribution Center	California Distribution Center
Phone (800) 526.2588	44 Harbor Park Drive,	1600 Distribution Ct,	1700 S J Elmer Weaver Fwy Suite 100,	1750 S Archibald Ave,
Fax (800) 526.2585	Port Washington, NY 11050	Lithia Springs, GA 30122	Cedar Hill, TX 75104	Ontario, CA 91761

A1RT-A57M-C2

QUARTUS ATMOSPHERE 4" - Square Adjustable Trimless

HOUSING (Required)

		Model	Power
New Construction IC Airtight		<p>A1RT-2571-C2 A1RT-2572-C2 A1RT-2573-C2</p>	<p>14W IC 19W IC 26W IC</p>
Remodel Non-IC		<p>A1RT-3571-C2 A1RT-3572-C2 A1RT-3573-C2</p>	<p>14W Non-IC 19W Non-IC 26W Non-IC</p>

A1RT-____-C2

Example: A1RT-2573-C2

GLARE CONTROL ACCESSORIES

LENS-16-HCM	<i>Honeycomb Louver</i>
LENS-16P-CRL-BK	<i>Cross Louver</i>

LENS ACCESSORIES

LENS-16	<p>AMB RED BLU GRN SPR BEL</p>	<p><i>Amber</i> <i>Red</i> <i>Blue</i> <i>Green</i> <i>Spread</i> <i>Beam Elongating</i></p>
----------------	---	---