

A1RT-A46M-C2

QUARTUS ATMOSPHERE 4" - Round Adjustable Trim



Fixture Type:

Catalog Number:

Project: _____

Location: _____

PRODUCT DESCRIPTION

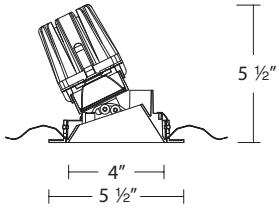
QUARTUS ATMOSPHERE recessed luminaires merge quality and value with the latest tunable white technology to demonstrate the beauty and power of 90 CRI illumination. The 4" aperture size features a robust lumen output for larger spaces with higher ceilings. The fixtures are also ideal for sunrise/sunset scenes, as well as accenting artwork, furniture and architectural decor while creating personalized and meaningful experiences for your clients.

FEATURES

- Two-piece die-cast construction
- Light engine mounted on trim with springs for easy replacement
- 0-45° vertical tilting and 365° horizontal rotation
- Center beam alignment retained throughout adjustment range
- Field changeable beam angle with reflectors provided
- Accepts one Lens or glare control accessory
- 8 year product warranty

SPECIFICATIONS

- Construction:** Durable die-cast aluminum construction
- Input:** Universal 120-277V AC 50/60 Hz
- Dimming:** 2-channel DMX512-A RDM: 100-0.1%
- Light Source:** 3-step Mac Adam Ellipse Tunable White COB
Rated life of 50,000 hours at L70
- Mounting:** Heavy gauge retention clips support trim firmly. Safety cabling standard.
- Finish:** Electrostatically powder coated White, Black, Dark Bronze. Enamel coated Haze.
- Standards:** ETL & cETL Damp Location Listed, Title 24 JA8 Compliant.

| Model | Model | Beam | *Lumens | *CBCP | Color Temp | CRI | Finishes | Reflector/Trim |
|---|--------------------------------|-------------------------|----------------------|----------------------|-------------------------|-----|--|---|
|  | A1RT-A46M Round Trim | N 27° F 42° W 55° | 1535 1555 1585 | 3895 2460 1865 | C2 1800K - 4000K | 90 | BK DB HZWT WT | Black Dark Bronze Haze/White White |

A1RT-A46M-C2__

Example: **A1RT-A46M-C2WT** (Beam N-27° reflector is pre-installed. Beams F-42° and W-55° reflectors are included.)

* Lumens and CBCP are reference values for 3000K trim with **3** housing. Use multiplier table below to determine the output for other combinations.

| LUMENS AND CBPC MULTIPLIER | | | | | | |
|----------------------------|-------------------|-------|-------|-------|-------|-------|
| Housing Power Level | Color Temperature | | | | | |
| | 1800K | 2200K | 2700K | 3000K | 3500K | 4000K |
| 1 (14W) | 0.42 | 0.48 | 0.53 | 0.56 | 0.59 | 0.63 |
| 2 (19W) | 0.59 | 0.67 | 0.74 | 0.78 | 0.83 | 0.88 |
| 3 (26W) | 0.76 | 0.86 | 0.95 | 1.00 | 1.07 | 1.13 |

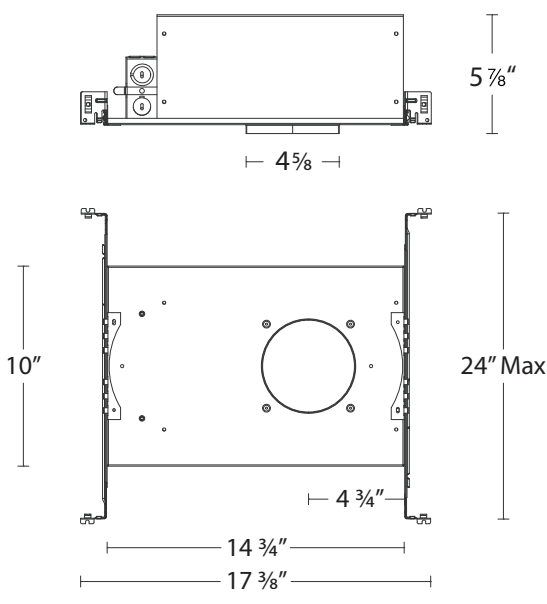
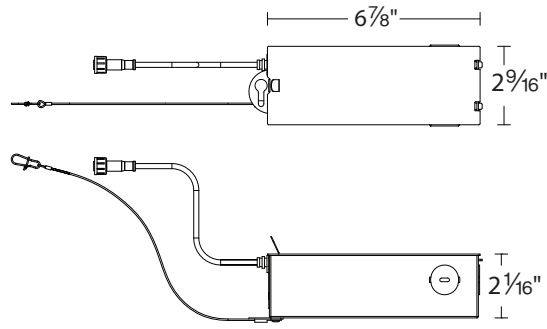
Please see next page for housing units (required)

| | | | | |
|----------------------|---------------------------|------------------------------------|--------------------------------------|---------------------------------------|
| aispire.com | Headquarters | Georgia Distribution Center | Texas Distribution Center | California Distribution Center |
| Phone (800) 526.2588 | 44 Harbor Park Drive, | 1600 Distribution Ct, | 1700 S J Elmer Weaver Fwy Suite 100, | 1750 S Archibald Ave, |
| Fax (800) 526.2585 | Port Washington, NY 11050 | Lithia Springs, GA 30122 | Cedar Hill, TX 75104 | Ontario, CA 91761 |

A1RT-A46M-C2

QUARTUS ATMOSPHERE 4" - Round Adjustable Trim

HOUSING (Required)

| New Construction IC Airtight |  | <i>Model</i> | <i>Power</i> |
|---|---|---|--|
| Remodel Non-IC |  | A1RT-2661-C2 A1RT-2662-C2 A1RT-2663-C2 | <i>14W IC</i> <i>19W IC</i> <i>26W IC</i> <i>14W Non-IC</i> <i>19W Non-IC</i> <i>26W Non-IC</i> |

A1RT-____-C2

Example: **A1RT-3661-C2**

GLARE CONTROL ACCESSORIES

| | |
|--|--|
| LENS-16-HCM LENS-16P-CRL-BK | <i>Honeycomb Louver</i> <i>Cross Louver</i> |
|--|--|

LENS ACCESSORIES

| | | |
|----------------|--|--|
| LENS-16 | AMB RED BLU GRN SPR BEL | <i>Amber</i> <i>Red</i> <i>Blue</i> <i>Green</i> <i>Spread</i> <i>Beam Elongating</i> |
|----------------|--|--|