

A1RS-W46A-C2

QUARTUS ATMOSPHERE 2" - Round Wall Wash Trim



Fixture Type:

Catalog Number:

Project: _____

Location: _____

PRODUCT DESCRIPTION

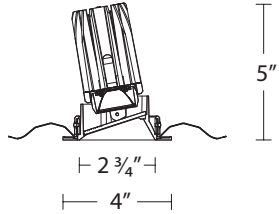
QUARTUS ATMOSPHERE recessed luminaires merge quality and value with the latest tunable white technology to demonstrate the beauty and power of 90 CRI illumination. Ideal for sunrise/sunset scenes, as well as accenting artwork, furniture and architectural decor while creating personalized and meaningful experiences for your clients.

FEATURES

- Two-piece die-cast construction
- Light engine mounted on trim with springs for easy replacement
- 365° horizontal rotation
- Designed for even wall illumination both vertically and horizontally
- 8 year product warranty

SPECIFICATIONS

- Construction:** Durable die-cast aluminum construction
- Input:** Universal 120-277V AC 50/60 Hz
- Dimming:** 2-channel DMX512-A RDM: 100%-0.1%
- Light Source:** 3-step Mac Adam Ellipse Tunable White COB
Rated life of 50,000 hours at L70
- Mounting:** Heavy gauge retention clips support trim firmly. Safety cabling standard.
- Finish:** Electrostatically powder coated White, Black, Dark Bronze. Enamel coated Haze.
- Standards:** ETL & cETL Wet Location Listed, Title 24 JA8 Compliant.

	Model	Beam	*Lumens	*CBCP	Color Temp	CRI	Finishes	Reflector/Trim
	A1RS-W46A Round Trimless	A Asym	785	N/A	C2 1800K - 4000K	90	BK DB HZ WT	Black Dark Bronze Haze White

A1RS-W46A-C2__

Example: **A1RS-W46A-C2WT**

*Lumens shown in the table are reference values for 3000K trim with 2 housing. Use multiplier table below to determine the output for other combinations.

LUMENS AND CBPC MULTIPLIER						
Housing Power Level	Color Temperature					
	1800K	2200K	2700K	3000K	3500K	4000K
1 (14W)	0.59	0.69	0.76	0.80	0.85	0.88
2 (18W)	0.74	0.86	0.95	1.00	1.06	1.10

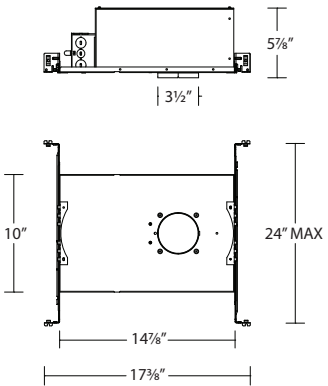
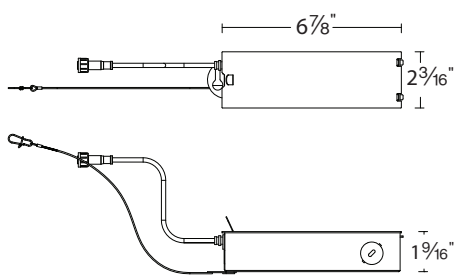
Please see next page for housing units (required)

aispire.com	Headquarters	Georgia Distribution Center	Texas Distribution Center	California Distribution Center
Phone (800) 526.2588	44 Harbor Park Drive,	1600 Distribution Ct,	1700 S J Elmer Weaver Fwy Suite 100,	1750 S Archibald Ave,
Fax (800) 526.2585	Port Washington, NY 11050	Lithia Springs, GA 30122	Cedar Hill, TX 75104	Ontario, CA 91761

A1RS-W46A-C2

QUARTUS ATMOSPHERE 2" - Round Wall Wash Trim

HOUSING (Required)

		<i>Model</i>	<i>Power</i>
New Construction IC Airtight		A1RS-2661-C2 A1RS-2662-C2	<i>14W IC</i> <i>18W IC</i>
Remodel Non-IC		A1RS-3661-C2 A1RS-3662-C2	<i>14W Non-IC</i> <i>18W Non-IC</i>

A1RS-____-C2

Example: **A1RS-2662-C2**