

INSTALLATION INSTRUCTION

Step Light RPS

A2W10

WARNING

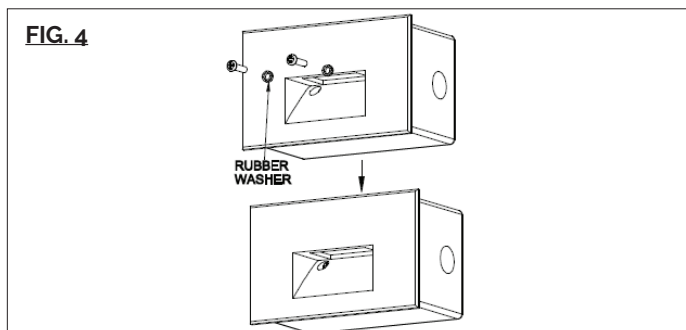
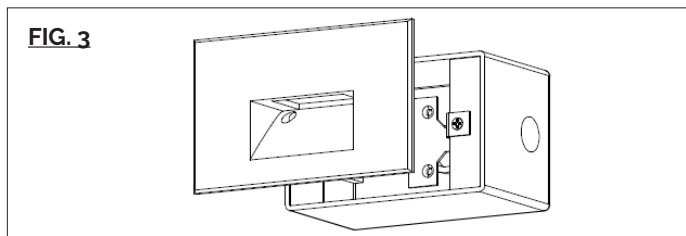
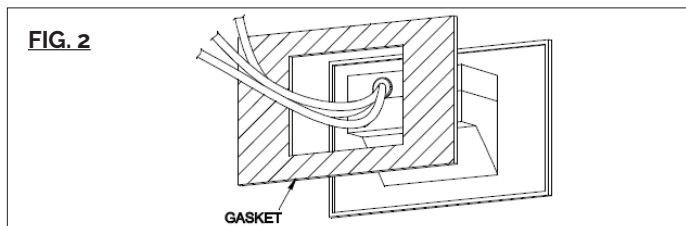
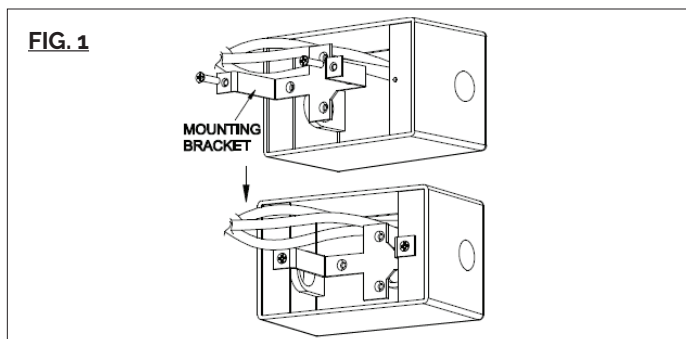
IMPORTANT: NEVER attempt any work without shutting off the electricity.

- Read all instructions before installing.
- System is intended for installation by a qualified electrician in accordance with the National Electric Code, and local regulations. Consult with local inspector to ensure compliance.
- To reduce the risk of fire, electrical shock and injuries to persons, turn off power at main switch before installing or modifying the system.
- Retain instructions for future maintenance reference.
- Not complying with instructions could result in failure of the fixtures, and void the warranty.

INSTALLATION:

JUNCTION BOX: 2" x 4" boxes to have minimum inside dimensions of 3"H x 2"W x 2"D in order to accommodate fixtures.

Note: Actual depth of box to be determined in accordance with the NEC and local ordinances. Indoor or outdoor frame mounted junction box: Raco 2" x4" (16.5 cu. In) or equivalent recommended. Outdoor surface mounted junction box: Red Dot deep weatherproof box Model S103E or equiv. recommended Mortar or poured concrete installation: Use appropriate junction box suitable for that particular application.



1. Install 2"x4" junction box, and ensure it is water-tight for outdoor use.
2. Secure mounting bracket to J-box using (2) 8-32 J-Box screws (J-box and screws by others) as shown in **FIG.1**.

3. Insert gasket onto the back of the fixture (See **FIG.2**).

Note: For indoor installation, gasket is not required, and can be discarded.

4. Connect the fixture wires to the junction box wires as follows: Black fixture wire to black (Hot) J-BOX wire, white fixture wire to white (Neutral J-box wire, and green fixture wire to Ground. (See **FIG.3**).

5. Place all wiring and connectors back in junction box and install the fixture.

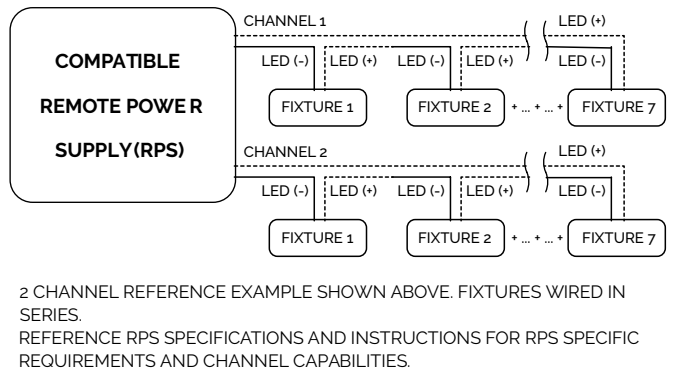
Note: For outdoor installation, it is required that the installer run a bead of clear, outdoor-rated silicone (GE RTV-162 or equivalent, provided by others) caulk between gasket or back of fixture and mounting surface to prevent seepage of water into fixture.

6. Secure the fixture to the surface using two mounting screws and two rubber washers provided. (See **FIG.4**)

(Note: Fixture, mounting bracket, gasket, mounting screws, and rubber washers provided by WAC.)

AiSPIRE retains the right to modify the design of our products at any time as part of the company's continuous improvement program.

FIG. 5



LOW VOLTAGE WIRING REQUIREMENTS:

AISPIRE fixtures may be wired to compatible remote power supplies (RPS) using appropriate low voltage wiring. Refer to RPS instructions for information regarding wiring gauge and distance recommendations.

1. Up to seven 6VDC RPS Step Light fixture may be wired directly to any single output channel of the RPS (See **FIG. 5**)