

INSTALLATION INSTRUCTION

Alpine RPS Basics

A2RH



SAFETY INSTRUCTION

IMPORTANT: NEVER attempt any work without shutting off the electricity.

- Read all instructions before installing.
- System is intended for installation by a qualified electrician in accordance with the National Electrical Code and local regulations.
- Go to the main fuse box, or circuit breaker. Place the main power switch in the "OFF" position and unscrew the fuse(s) or switch "OFF" the circuit breaker switch(es) that control the power to the fixture or room that you are working on.
- Place the wall switch in the "OFF" position.

AVERTISSEMENT

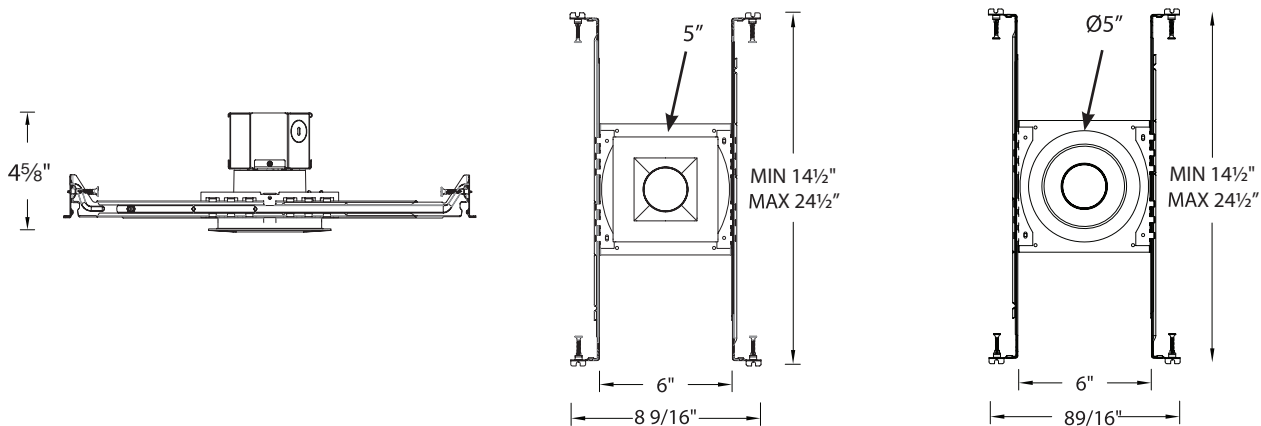
IMPORTANT : Coupez l'électricité avant TOUTE manipulation.

- Lisez toutes les instructions avant d'installer.
- Système est destiné à être installé par un électricien qualifié en conformité avec le code national de l'électricité et les règlements locaux.
- Accédez au panneau central de disjoncteurs ou de fusibles de votre demeure et placez l'interrupteur principal en position d'arrêt (« OFF »).
- Placez l'interrupteur mural en position d'arrêt (« OFF »).

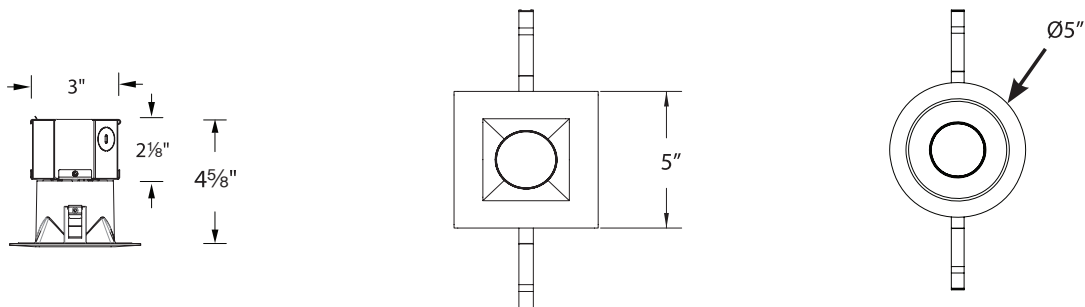
CAUTION:

All parts must be used as indicated in these instructions. Do not substitute any parts, leave parts out, or use any parts that are worn out or broken. Failure to follow this instruction could invalidate the ETL/cETL listing of this fixture.

NEW CONSTRUCTION OVERALL DIMENSIONS



REMODEL OVERALL DIMENSIONS



SPECIFICATIONS

Model	Installation	Forward Voltage	Maximum Drive Current	Power	Max # of Fixtures	Multiple Fixture Wiring	Controls
A2RH-446 / A2RH-246	IC-Rated	18VDC	550mA	10W	2 per Channel	Series	See RPS Instructions
A2RH-456 / A2RH-256	IC-Rated	18VDC	550mA	10W	2 per Channel	Series	See RPS Instructions

AISPiRE retains the right to modify the design of our products at any time as part of the company's continuous improvement program.

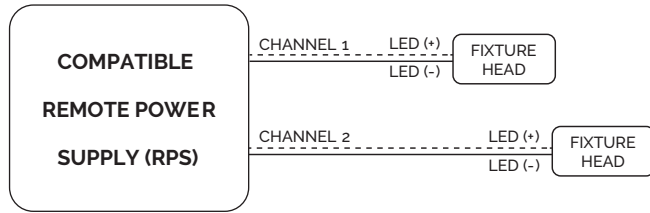
INSTALLATION INSTRUCTION

Alpine RPS Basics

A2RH



FIG. 1



2 CHANNEL REFERENCE EXAMPLE SHOWN ABOVE. REFERENCE RPS SPECIFICATIONS AND INSTRUCTIONS FOR RPS SPECIFIC REQUIREMENTS AND CHANNEL CAPABILITIES.

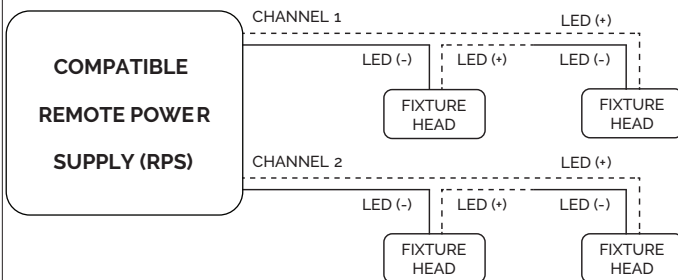
LOW VOLTAGE WIRING REQUIREMENTS:

AISIPIRE fixtures may be wired to compatible remote power supplies (RPS) using appropriate low voltage wiring. Refer to RPS instructions for information regarding wiring gauge and distance recommendations.

1. 18VDC Alpine fixtures may be wired directly to a single output channel of the of the RPS. For single fixture head connection, refer to **FIG. 1** for wiring arrangement.

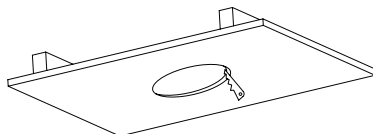
Up to two 18VDC fixture heads may be wired to any single output channel of the RPS in series wiring arrangement. (See **FIG. 2**)

FIG. 2



2 CHANNEL REFERENCE EXAMPLE SHOWN ABOVE. FIXTURES WIRED IN SERIES. REFERENCE RPS SPECIFICATIONS AND INSTRUCTIONS FOR RPS SPECIFIC REQUIREMENTS AND CHANNEL CAPABILITIES.

FIG. 3

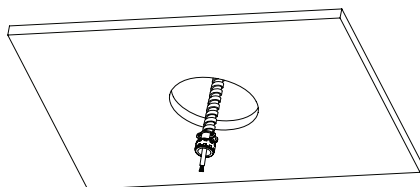


ROUND: CUT OUT Ø4"

HOUSING INSTALLATION:

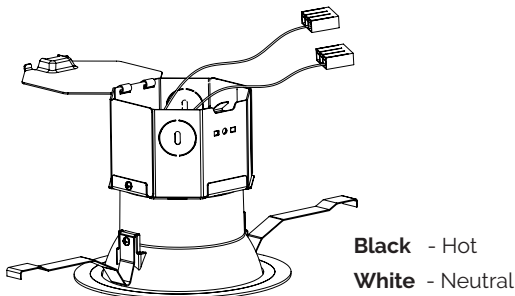
1. At the point of installation, cut a Ø4" round hole for a round trim (See **FIG. 3**).
2. Ceiling thickness range is ½" to 1 ½".
3. Take out fixture from packaging box.

FIG. 4



4. Pull RPS supply wires through the ceiling cutout and open fixture junction box door. (See **FIG. 4**) Remove desired housing knockout and feed RPS wires into housing using appropriate connector.

FIG. 5



5. Connect fixture wires to RPS wires (See **Fig. 5**): Connect each supply wire with appropriate junction box wire connector.

Connect black fixture wire to hot and white fixture wire to neutral. Leave all other wires capped individually.

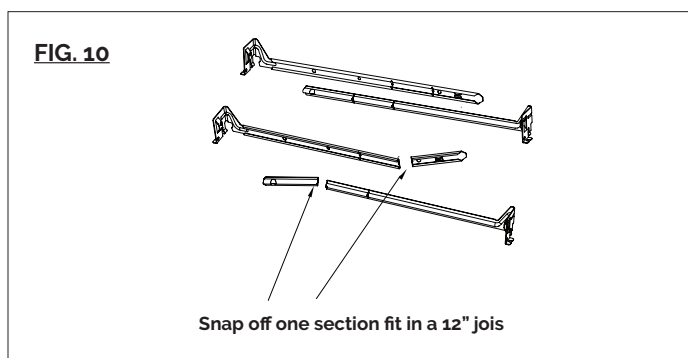
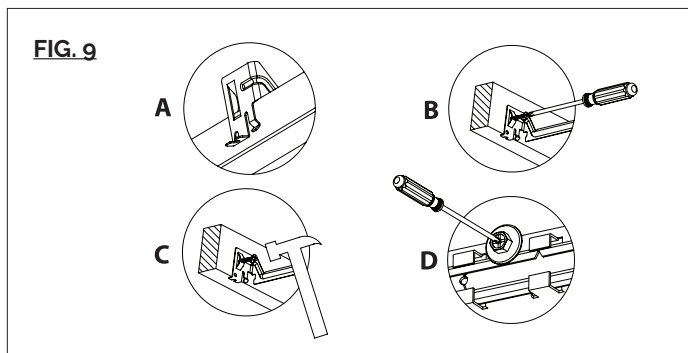
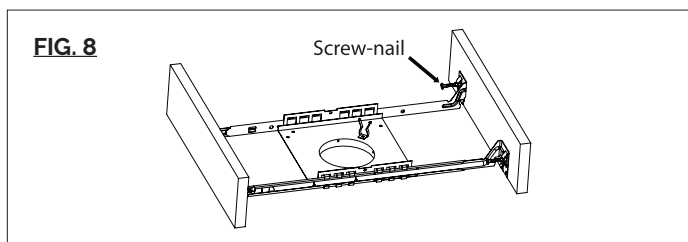
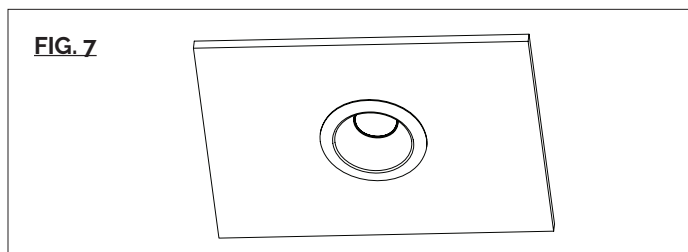
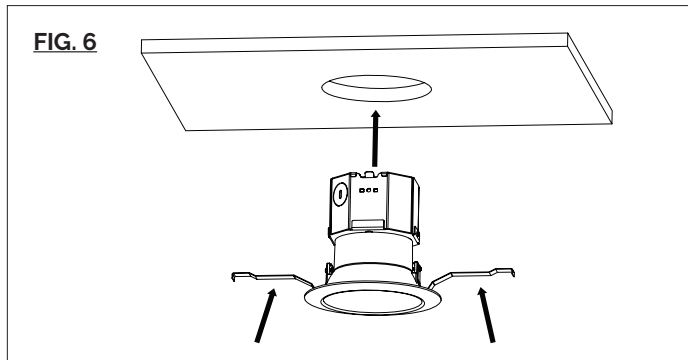
AISIPIRE retains the right to modify the design of our products at any time as part of the company's continuous improvement program.

INSTALLATION INSTRUCTION

Alpine RPS Basics

A2RH

AiSPIRE
A W A C C O M P A N Y



6. Fold trim assembly mounting springs inward and insert trim assembly into ceiling cutout. Be sure once installed, trim assembly is flush and secure (See **FIG. 6 & 7**)

NEW CONSTRUCTION INSTALLATION:

1. Install mounting frame using two hanger bars (24½" max). Bars are notched on the ends to fit over "T" bars in suspended ceilings (See **FIG. 9A**).
2. Hanger bars include a captive mounting "screw-nail" for ease of installation (See **FIG. 8**).

Align the bottom of the hanger bar with the bottom of the wood joist. Secure the "screw-nail" on each end by screwdriver (See **FIG. 9B**), or by hammer (See **FIG. 9C**).

3. Slide fixture along bar hangers into desired location. Use locking screws to secure (See **FIG. 9D**).

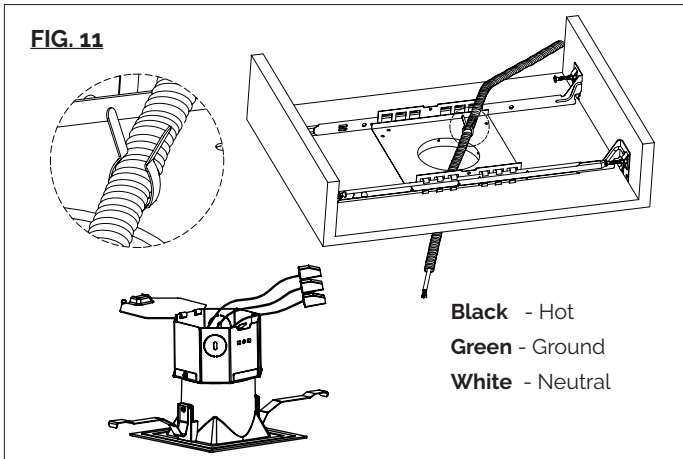
4. To shorten hanger bars to fit in a 12" joist, snap off on section of the hanger bars (See **FIG. 10**).
5. Cut a 4 1/8" diameter hole in the ceiling at the point of installation and install ceiling.
6. Pull RPS supply wires through ceiling cutout and open fixture junction box door. Remove desired housing knockout and feed RPS wires into housing using appropriate connector.

AiSPIRE retains the right to modify the design of our products at any time as part of the company's continuous improvement program.

INSTALLATION INSTRUCTION

Alpine RPS Basics

A2RH



7. Connect fixture wires to RPS wires (See **FIG. 11**): Connect each supply wire with appropriate junction box connector.

To utilize ELV or TRIAC, wire black (line hot), white (line neutral) and green (ground) in accordance to dimmer specifications.

Connect black fixture wire to hot, white fixture wire to neutral and green fixture wire to ground. Leave all other wires capped individually

8. Fold trim assembly mounting springs inward and insert trim assembly into ceiling cutout. Be sure once installed, trim assembly is flush and secure (See **FIG. 6 & 7**).