

# INSTALLATION INSTRUCTION

## ADJUSTO RPS MULTIPLES

A2RG, A3RG



### IMPORTANT SAFETY INSTRUCTIONS

IMPORTANT: NEVER attempt any work without shutting off the electricity.

- Read all instructions before installing.
- System is intended for installation by a qualified electrician in accordance with the National Electrical Code and local regulations.
- Go to the main fuse box, or circuit breaker. Place the main power switch in the "OFF" position and unscrew the fuse(s) or switch "OFF" the circuit breaker switch(es) that control the power to the fixture or room that you are working on.
- Place the wall switch in the "OFF" position.

### AVERTISSEMENT

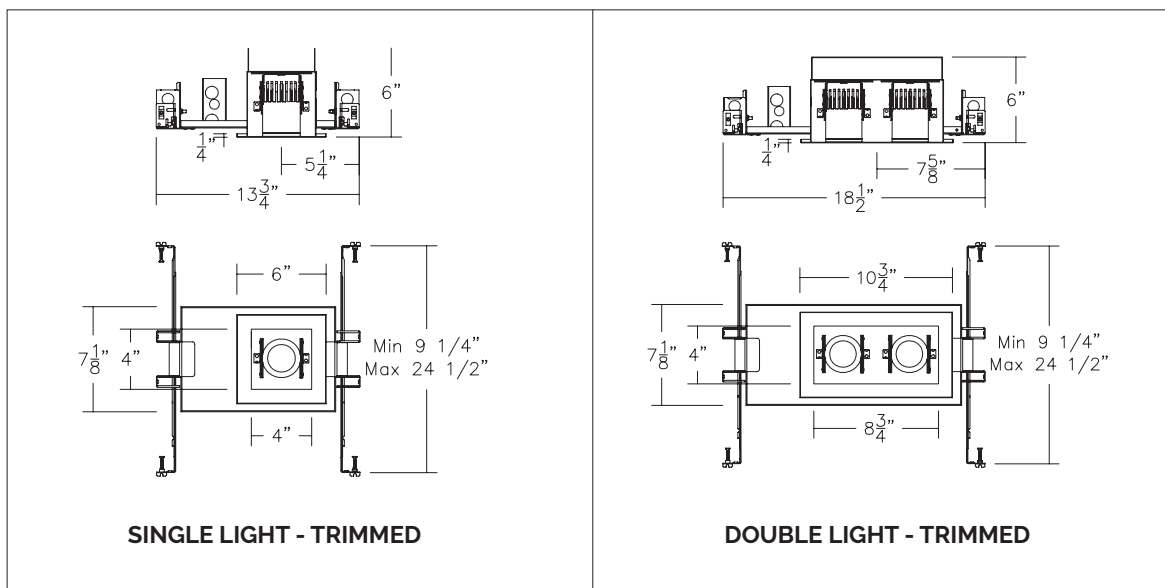
- Lisez toutes les instructions avant d'installer.
- Système est destiné à être installé par un électricien qualifié en conformité avec le code national de l'électricité et les règlements locaux.
- Accédez au panneau central de disjoncteurs ou de fusibles de votre demeure et placez l'interrupteur principal en position d'arrêt («OFF »).
- Placez l'interrupteur mural en position d'arrêt (« OFF »).

### OVERVIEW:

Housing is new construction Airtight IC and Non IC. (Refer to table below).

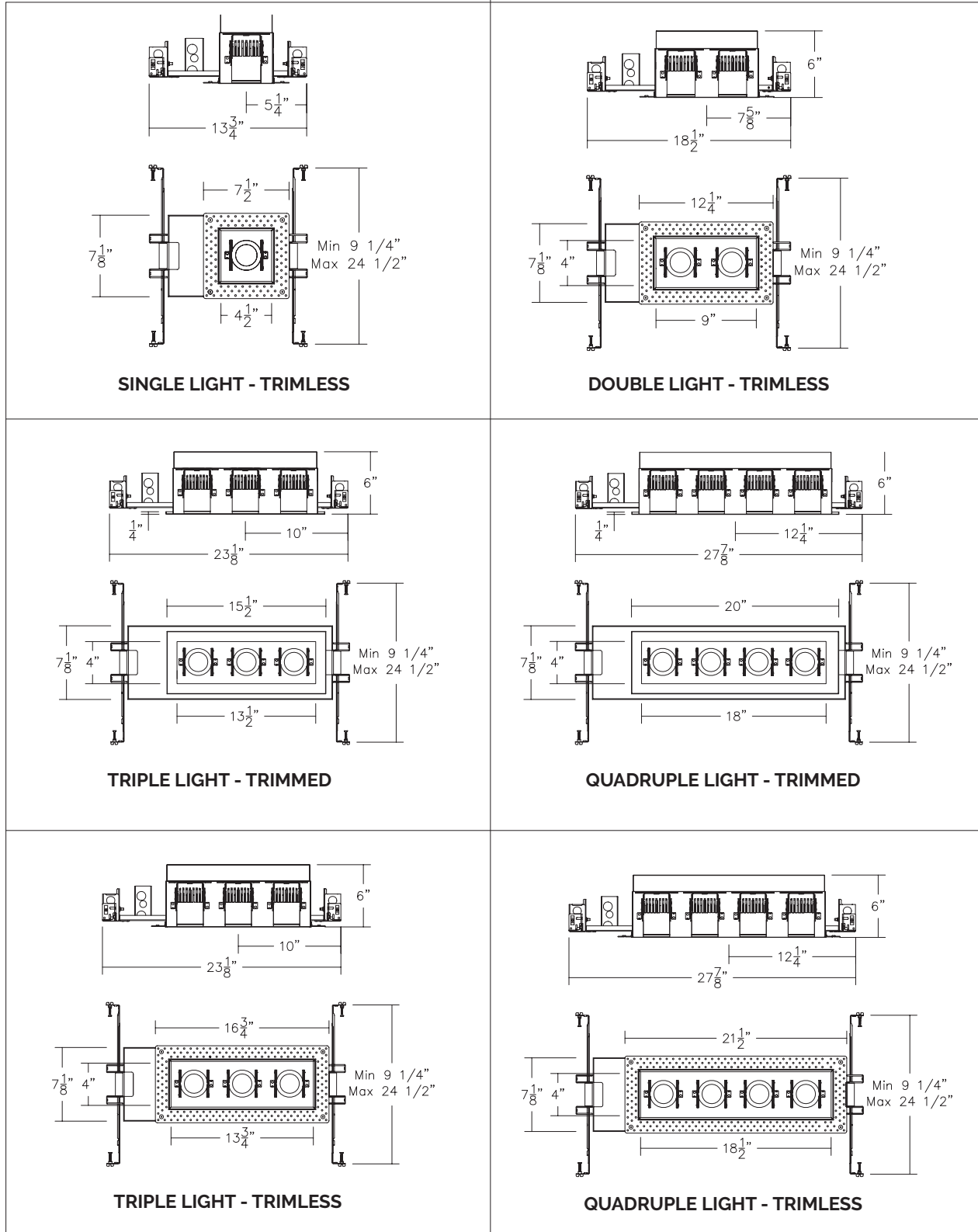
Fixtures are intended for use with compatible remote power supply (RPS). Reference fixture specification sheets and remote power supply instructions for appropriate installation.

SPECIFICATIONS							
Model	Installation	Forward Voltage	Maximum Drive Current	Power	Max # of Fixtures	Multiple Fixture Wiring	Controls
A2RG-25	IC-Rated	36VDC	250mA	8W	1 per Channel	N/A	See RPS Instructions
A2RG-15	Non-IC	36VDC	350mA	12W	1 per Channel	N/A	See RPS Instructions
A3RG-25	IC-Rated	18VDC	400mA	6.5W	2 per Channel	Series	See RPS Instructions
A3RG-15	Non-IC	18VDC	600mA	10W	2 per Channel	Series	See RPS Instructions

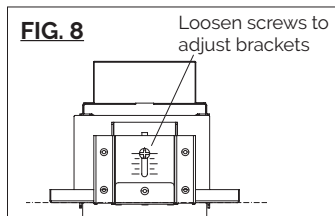
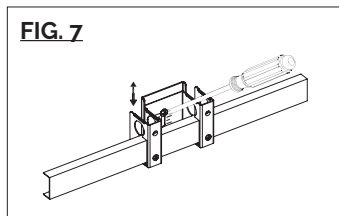
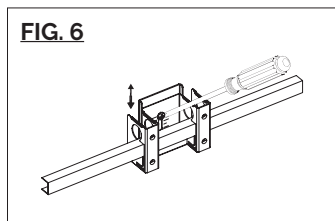
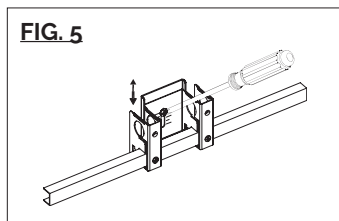
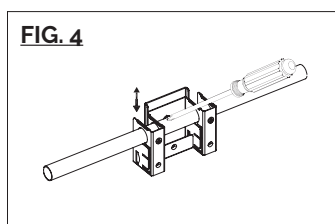
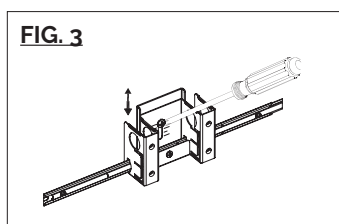
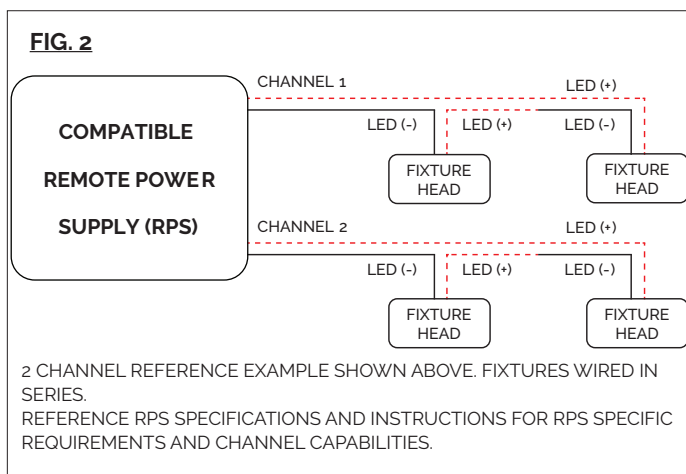
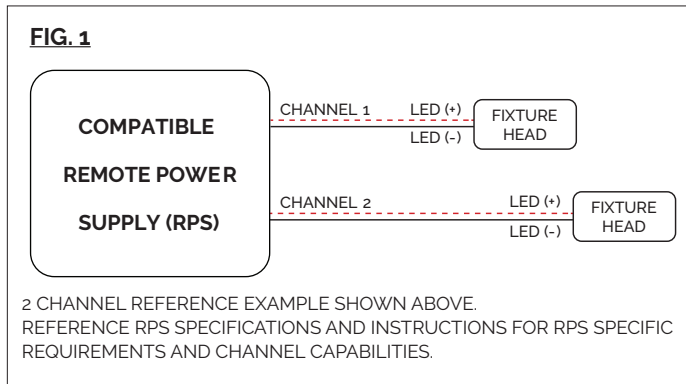


AisPIRE retains the right to modify the design of our products at any time as part of the company's continuous improvement program.

INSTALLATION INSTRUCTION  
**ADJUSTO RPS MULTIPLES**  
 A2RG, A3RG



*AISPIRE retains the right to modify the design of our products at any time as part of the company's continuous improvement program.*



**LOW VOLTAGE WIRING REQUIREMENTS:**

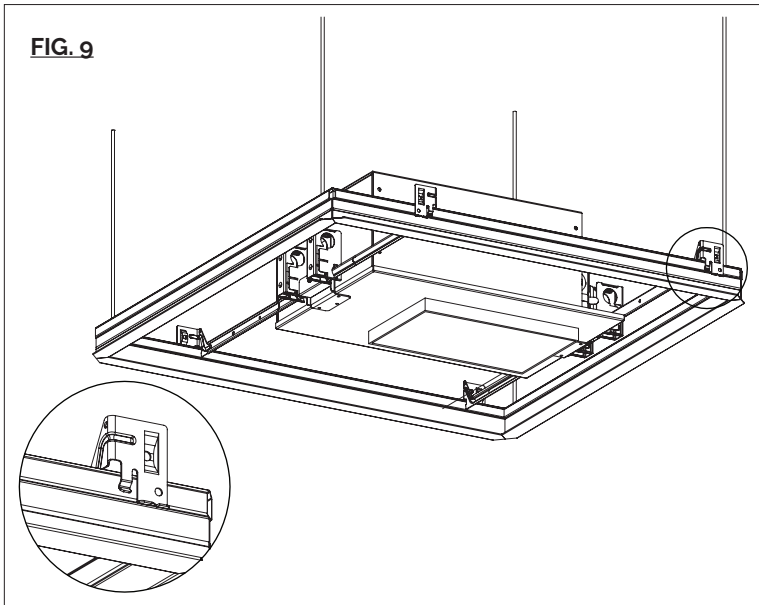
AISPIRE fixtures may be wired to compatible remote power supplies (RPS) using appropriate low voltage wiring. Refer to RPS instructions for information regarding wiring gauge and distance recommendations.

1. Up to one 36VDC Alpine fixture head may be wired directly to any single output channel of the RPS. (See **FIG. 1**)
2. 18VDC Alpine fixtures may be wired directly to a single output channel of the of the RPS. For single fixture head connection, refer to **FIG. 1** for wiring arrangement.

Up to two 18VDC fixture heads may be wired to any single output channel of the RPS in series wiring arrangement. (See **FIG. 2**)

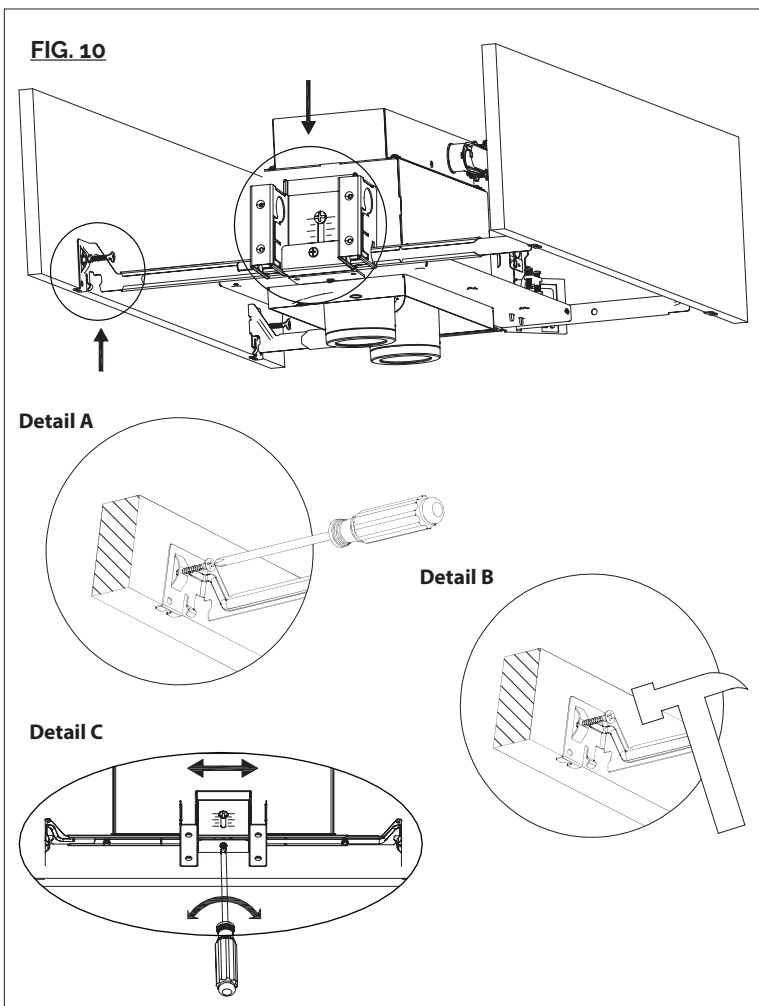
**TRIM HOUSING INSTALLATION**

1. Housing features mounting brackets that can be used with hanger bars or various channel supports (See **FIG. 3-7**). Adjust the brackets to proper height by loosening the screws such that the bottom of housing is flush to top of finished ceiling plane (See **FIG. 8**). Retighten screws securely.
2. Slide the male and female hanger bars or other channel supports through the appropriate holes in the brackets.



**3. A. For hanger bar installation on grid:**

Hanger bars are notched on the ends to fit over "T" bars in the suspended ceilings supported with tie wires (by others) to upper ceiling structure (See FIG. 9).



**B. For hanger bar installation on joists:**

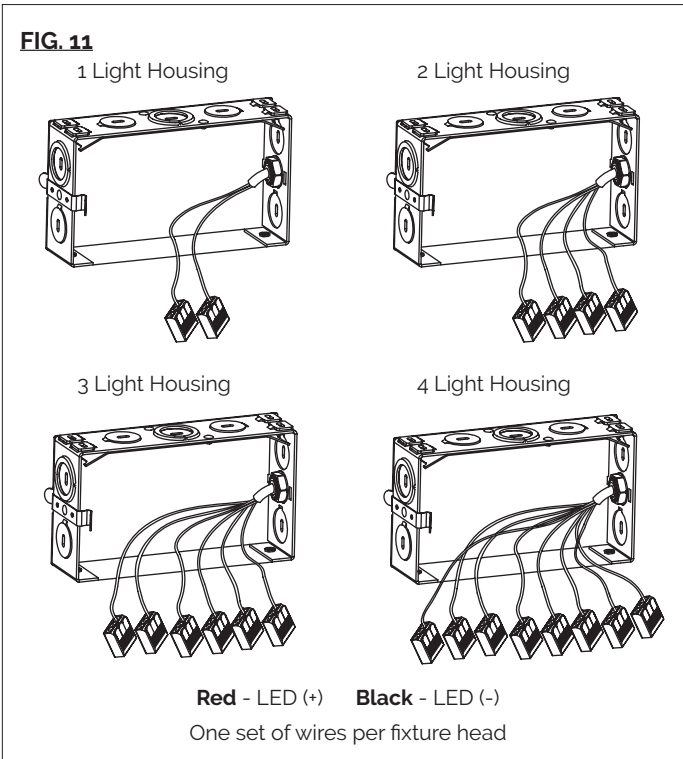
Install the hanger bar and housing assembly such that the lip of the hanger bar rests on the bottom surface of the joist. Use a screw-driver or hammer to secure the "screw-nail" into the wood (See FIG. 10).

**4. Slide the housing along the hanger bars to the desired position (See Detail. C).**

Tighten bottom locking screws to secure the housing in place

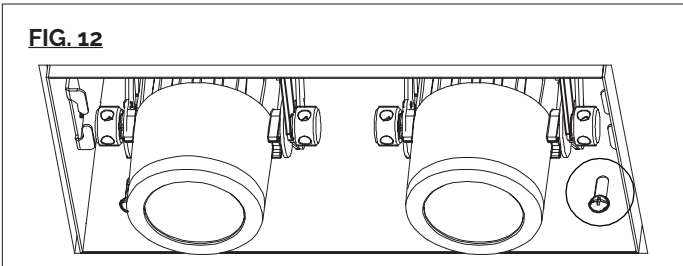
INSTALLATION INSTRUCTION  
**ADJUSTO RPS MULTIPLES**  
 A2RG, A3RG

**FIG. 11**



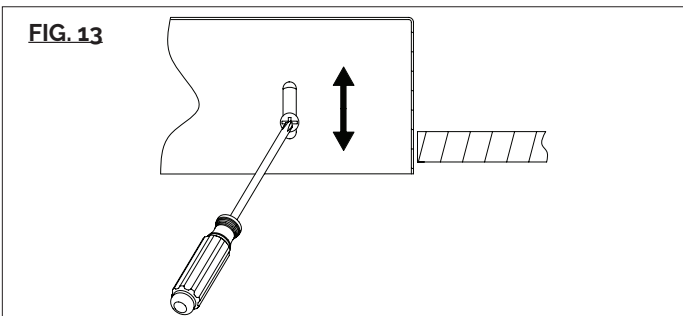
- Remove spring latched fixture junction box door and connect fixture wires to to lead wires from the RPS: Insert each supply wire into the appropriate junction box wire connector. (See **FIG. 11**)

**FIG. 12**



- When installing in drywall, cut a hole in the drywall (see the following cutout table). After finished, if necessary, adjust the fixture for ceiling thickness by loosening the housing screws. (See **FIG. 12** and **FIG. 13**).

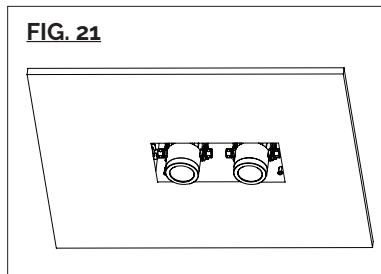
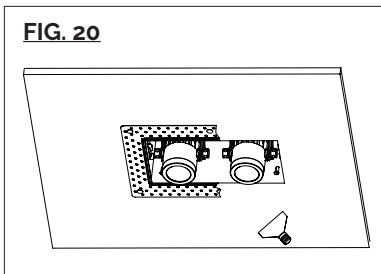
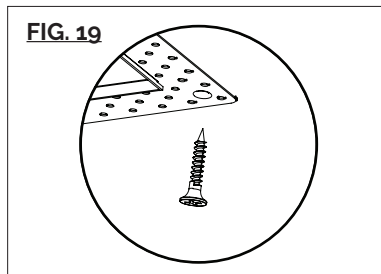
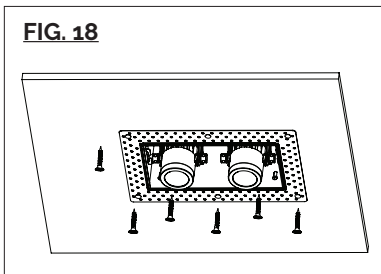
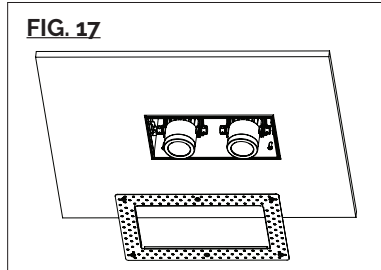
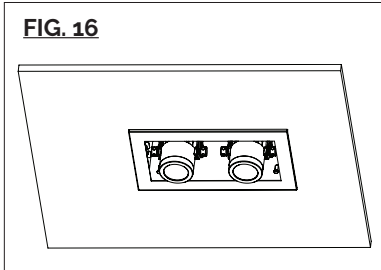
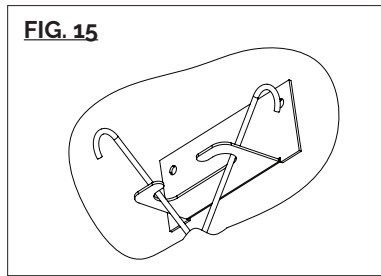
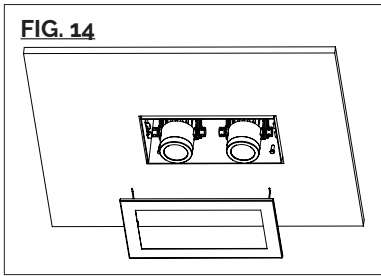
**FIG. 13**



TRIMMED	CUTOUT	TRIMLESS	CUTOUT
A2RG, A3RG-1561D*/2561D*	5 1/8" X 5 1/8"	A2RG, A3RG-1571D*/2571D*	5 1/8" X 5 1/8"
A2RG, A3RG-1562D*/2562D*	9 3/4" X 5 1/8"	A2RG, A3RG-1572D*/2572D*	9 3/4" X 5 1/8"
A2RG, A3RG-1563D*/2563D*	14 1/2" X 5 1/8"	A2RG, A3RG-1573D*/2573D*	14 1/2" X 5 1/8"
A2RG, A3RG-1564D*/2564D*	19 1/8" X 5 1/8"	A2RG, A3RG-1574D*/2574D*	19 1/8" X 5 1/8"

*AiSPIRE retains the right to modify the design of our products at any time as part of the company's continuous improvement program.*

INSTALLATION INSTRUCTION  
**ADJUSTO RPS MULTIPLES**  
 A2RG, A3RG

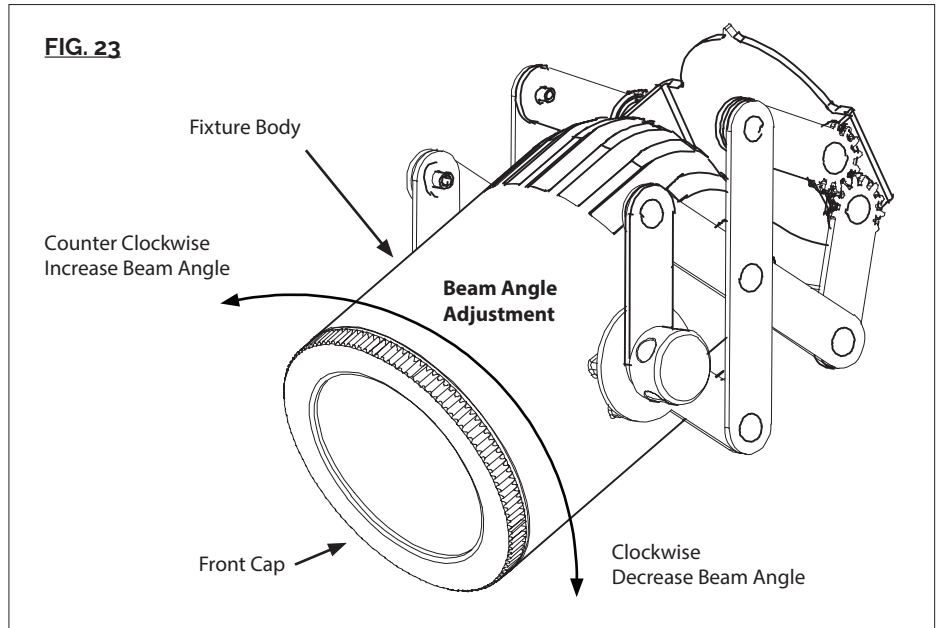
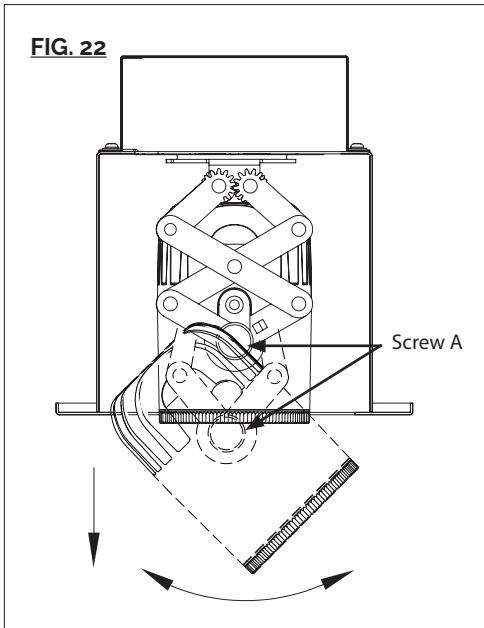


**TRIM INSTALLATION:**

1. Raise the trim to the housing and attach two sides by securing the torsion spring in the anchor cleat (as **FIG. 14**, **FIG. 15**).
2. Push the trim flush up against the ceiling (as **FIG. 16**).

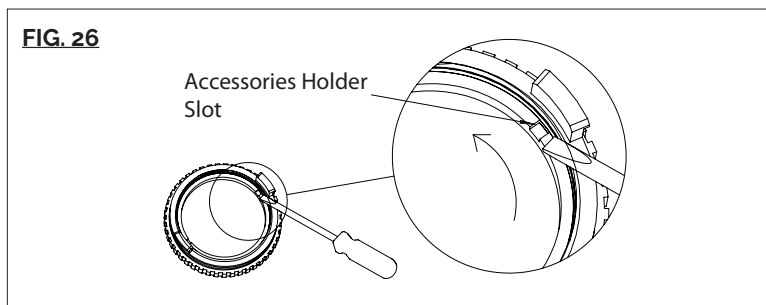
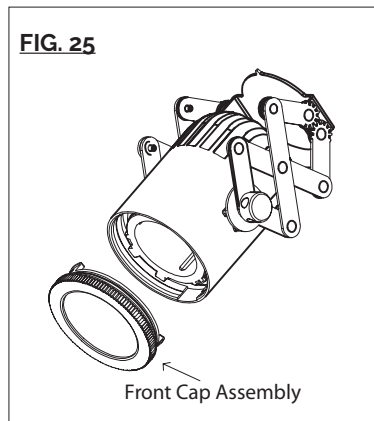
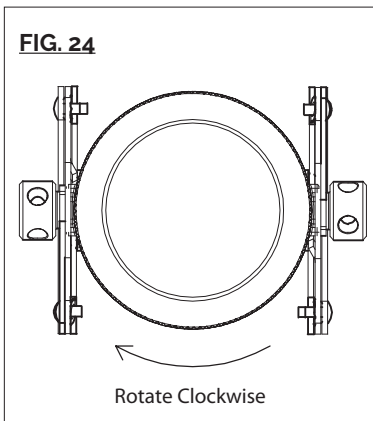
**TRIMLESS INSTALLATION**

1. Raise the trimless spackle frame to ceiling opening and secure with screws supplied (as **FIG. 17**, **FIG. 18** and **FIG. 19**).
2. Apply plaster or spackle over the trimless spackle frame and sand surface when dry for a finished look (as **FIG. 20** and **FIG. 21**).



**FIXTURE AIMING AND BEAM ADJUSTMENT (BE SURE FIXTURE IS NOT HOT)**

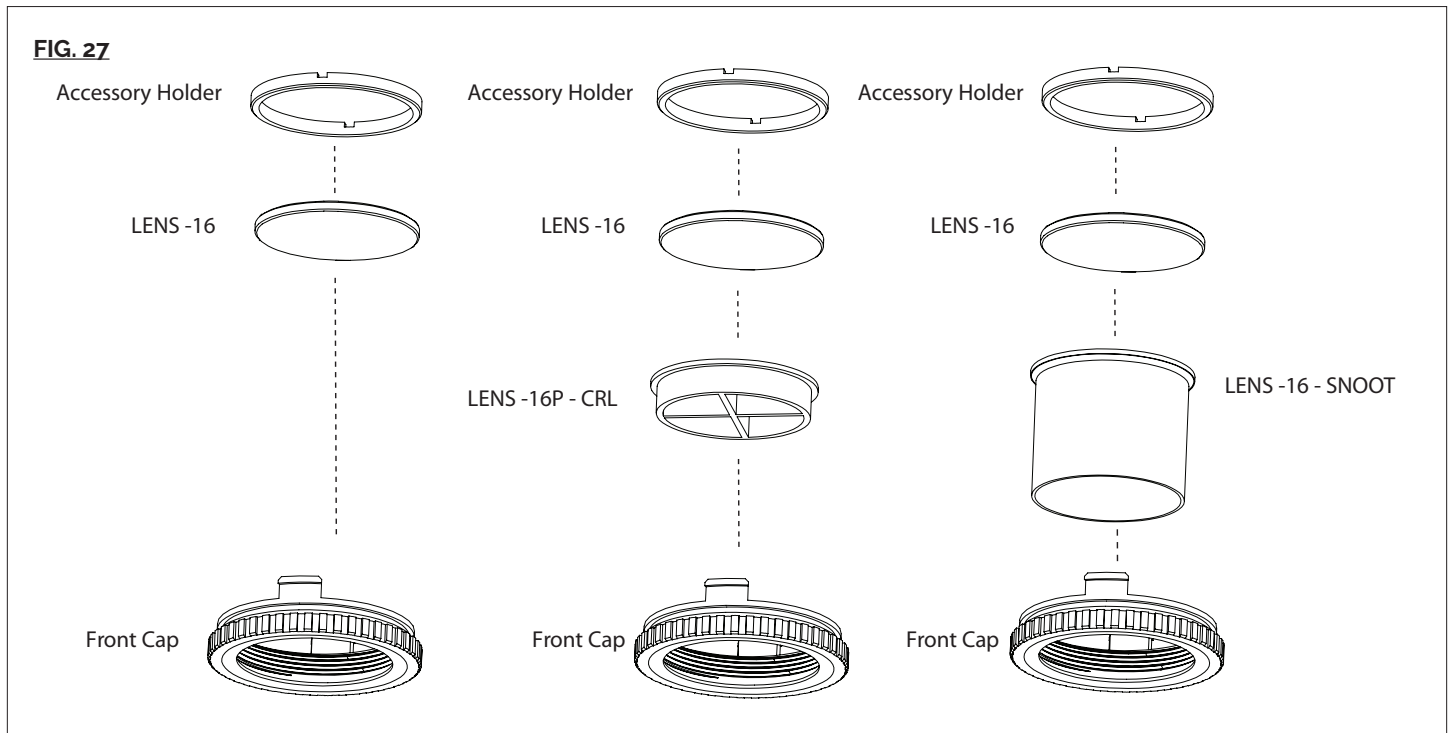
1. Pull down, twist, or rotate fixture head to desired position. Tighten screw 'A' to lock position (FIG. 22)
2. Hold fixture body with one hand and front cap with another. (FIG. 23)
3. Grip the front cap with two fingers. Rotate it gently clockwise or counter clockwise until desired beam angle is achieved. (FIG. 23)
4. Cease rotation when you feel resistance as beam angle is reaching its minimum or maximum. (FIG. 23)



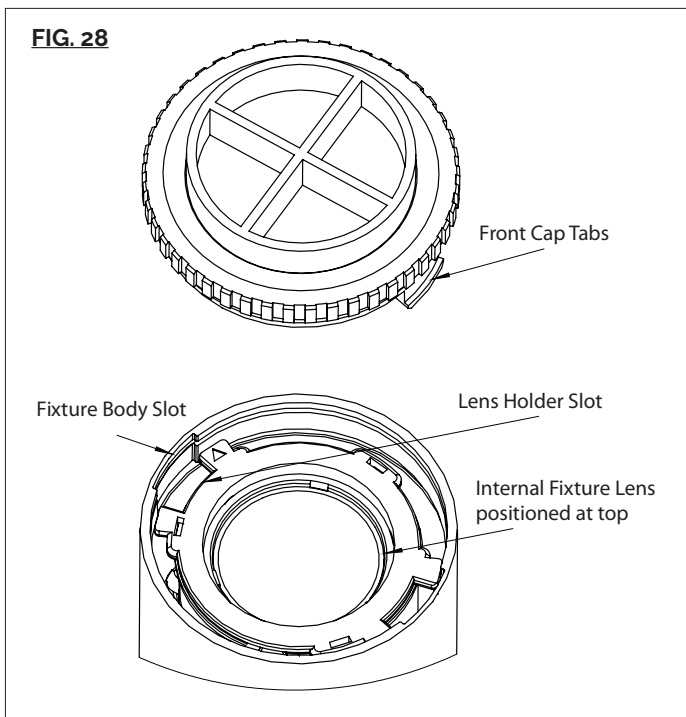
**ACCESSORIES**

1. With the fixture powered off and front cap facing you, rotate the front cap clockwise just passed the position until you feel a "click" (FIG. 24)
2. Gently, while holding the fixture body secure, rock the front cap assembly back and forth while pulling it away from the fixture body to remove front cap assembly. (FIG. 25)
3. Use a flat-tip-screwdriver to remove the accessory holder by rotating it counter clockwise. (FIG. 26)

*AiSPIRE retains the right to modify the design of our products at any time as part of the company's continuous improvement program.*



4. Fixture accommodates one lens and one glare control accessory. (Refer to spec sheet for list of compatible accessories). Install accessories between the front cap and accessory holder. Tighten accessory holder after accessories are installed. (FIG. 27)



5. Ensure internal fixture lens is still at the top position, and lens holder slots align with fixture body slots. Align the front cap tabs with the fixture body slots and insert the front cap assembly back into the fixture. Once fully inserted, rotate the front cap assembly counter clockwise passed the "click" and to the desired beam angle. (FIG. 28)

*AiSPIRE retains the right to modify the design of our products at any time as part of the company's continuous improvement program.*