

INSTALLATION INSTRUCTION

Recessed Channel

A2L50-8-WT

SAFETY INSTRUCTION

IMPORTANT: NEVER attempt any work without shutting off the electricity.

- Read all instructions before installing.
- Always turn off power at fuse box prior to installation to prevent electrical shock.
- Intended for indoor use. Dry and damp locations.
- For installation by a qualified electrician.
- System is intended for installation in accordance with National Electric Code, and local regulations.
- Consult with local inspector to assure compliance.

Instruction de sécurité

IMPORTANT: NE JAMAIS tenter tout travail sans couper l'électricité.

- Lisez toutes les instructions avant d'installer.
- Toujours couper l'alimentation électrique à la boîte à fusibles avant l'installation pour éviter les chocs électriques.
- Destiné à une utilisation en intérieur. endroits secs et humides.
- Pour l'installation par un électricien qualifié.
- Le système est destiné à être installé conformément au Code national de l'électricité, et les réglementations locales.
- Consultez l'inspecteur local pour assurer la conformité.

CAUTION:

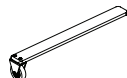
Read all instructions of tape light before installing.

- Linear RGBW/W A2L90
- Linear Tunable White A2L30
- Basics LED Tape A2L20

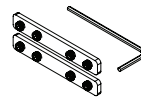
COMPONENTS:



LED-T-CH-PER



LED-T-CH-INS



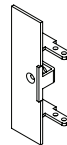
LED-T-CH-JOIN



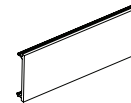
LED-T-CH-BIT



LED-T-CH-SINK



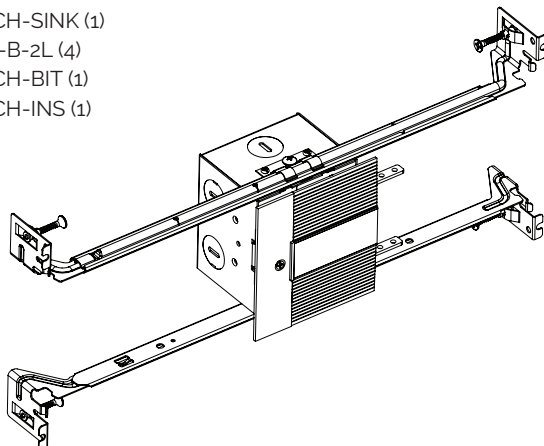
LED-T-CH-END1-WT



LED-T-RCH1-COV

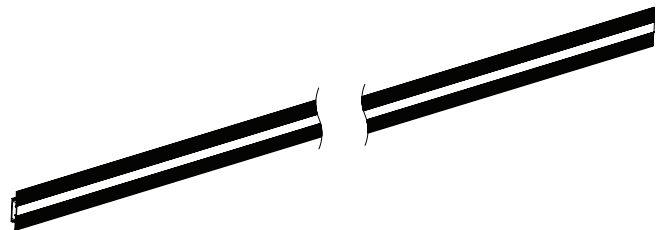
A2L54-WT (Sold Separately)

- LED-T-CH-END1-WT (2) INSTALLED
- LED-T-CH-JOIN (1)
- LED-T-CH-SINK (1)
- LED-TC-B-2L (4)
- LED-T-CH-BIT (1)
- LED-T-CH-INS (1)



A2L50-8-WT

- LED-T-CH-PER (8)
- LED-T-CH-JOIN (1)



AiSPIRE retains the right to modify the design of our products at any time as part of the company's continuous improvement program.

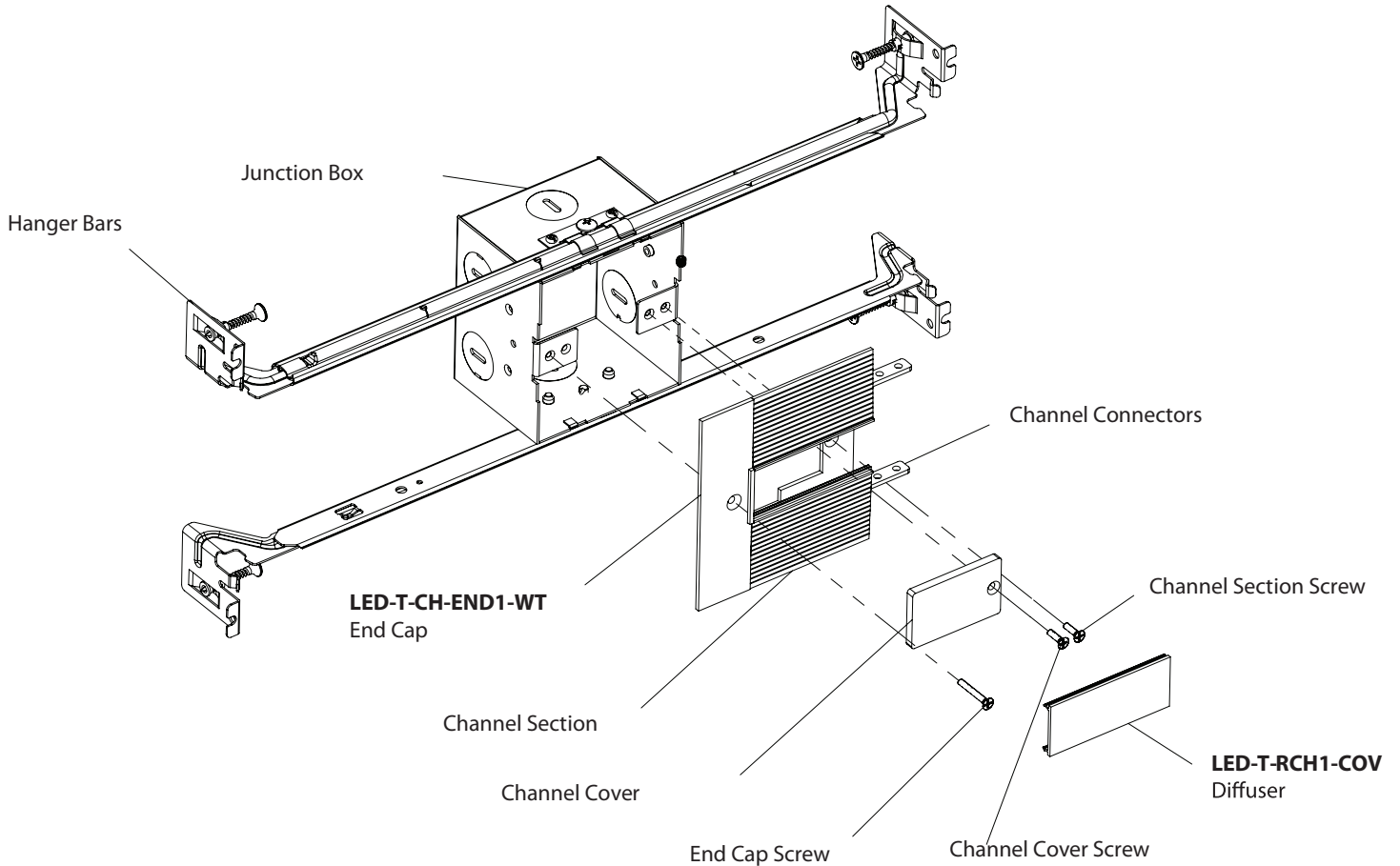
INSTALLATION INSTRUCTION

Recessed Channel

A2L50-8-WT

INSTALLATION:

1. Disassemble the Junction Box & Hanger Bars from A2L54-WT (Keep all of the components and screws for later installation.)



AiSPIRE retains the right to modify the design of our products at any time as part of the company's continuous improvement program.

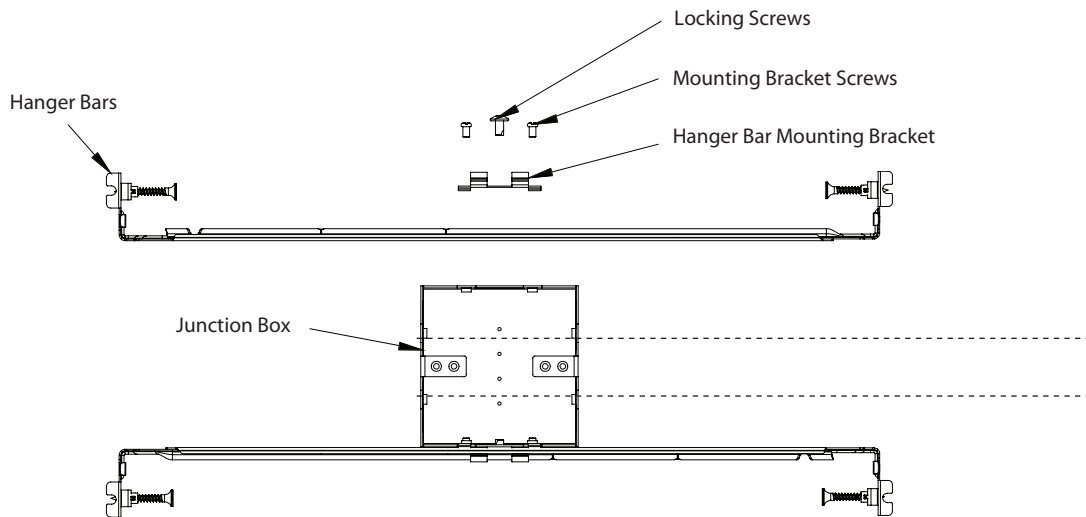
INSTALLATION INSTRUCTION

Recessed Channel

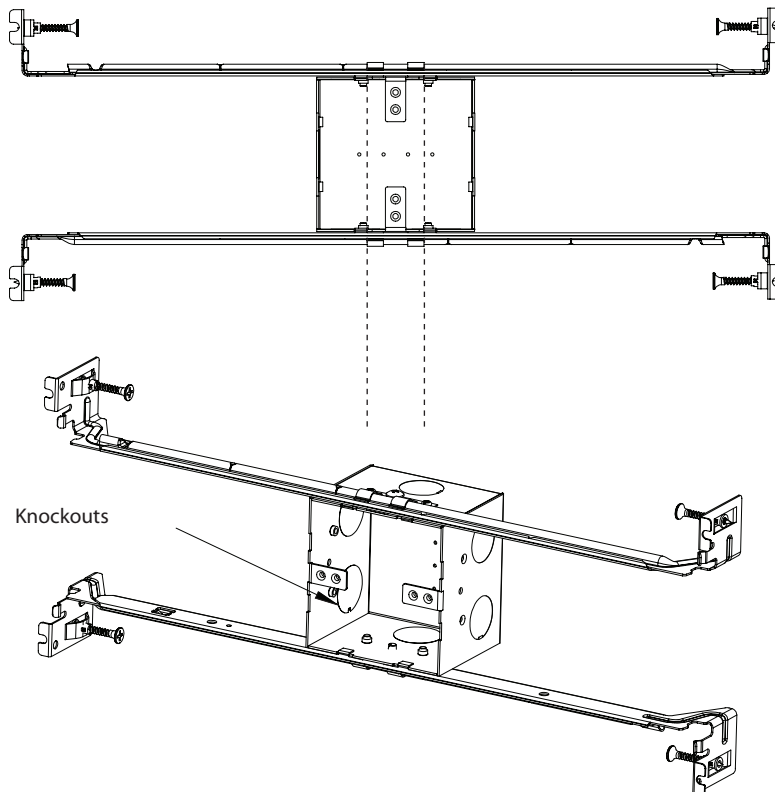
A2L50-8-WT

- Junction Box can be mounted horizontally or vertically by using the Mounting Brackets & Screws depending on the orientation of the channel. Junction Box can be slid along the Hanger Bars by loosening and fastening the Locking Screws on both top and bottom. Remove Knockouts on the Junction Box as necessary before mounting it.

If channel is desired to be mounted horizontally:



If channel is desired to be mounted vertically:



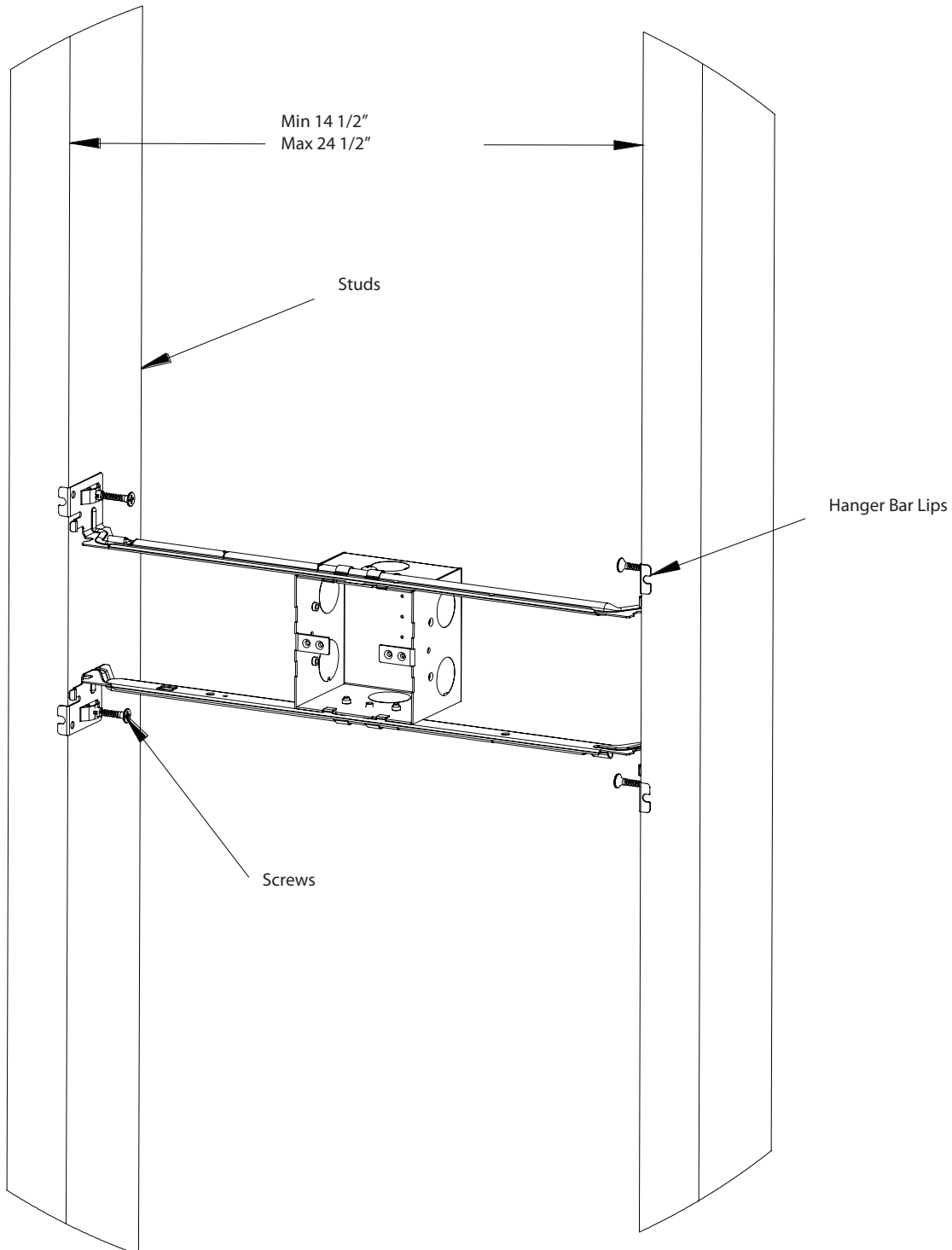
AiSPIRE retains the right to modify the design of our products at any time as part of the company's continuous improvement program.

INSTALLATION INSTRUCTION

Recessed Channel

A2L50-8-WT

3. Select the location between two Studs for the Junction Box to be mounted.
Place the adjustable Hanger Bars between the Studs (14 1/2" to 24 1/2"). Make sure the lips on the Hanger Bars are against the Studs.
Use supplied Screws to secure the Hanger Bars at desired position.



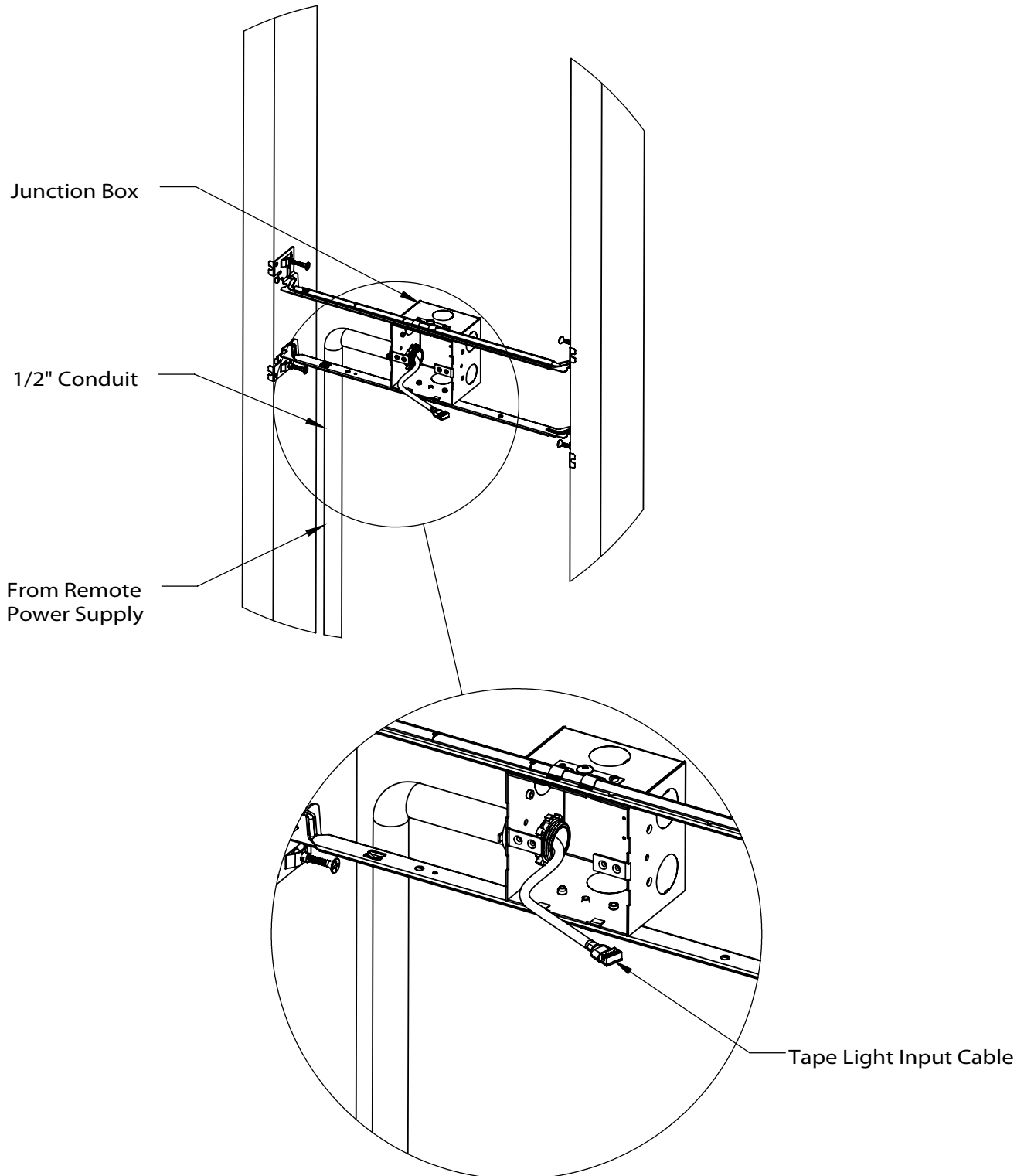
AiSPIRE retains the right to modify the design of our products at any time as part of the company's continuous improvement program.

INSTALLATION INSTRUCTION

Recessed Channel

A2L50-8-WT

4. Install the conduit and run the tape light input cable.
Please refer to tape light instruction for specific installation.
Tuck all wires into the Junction Box for later use.



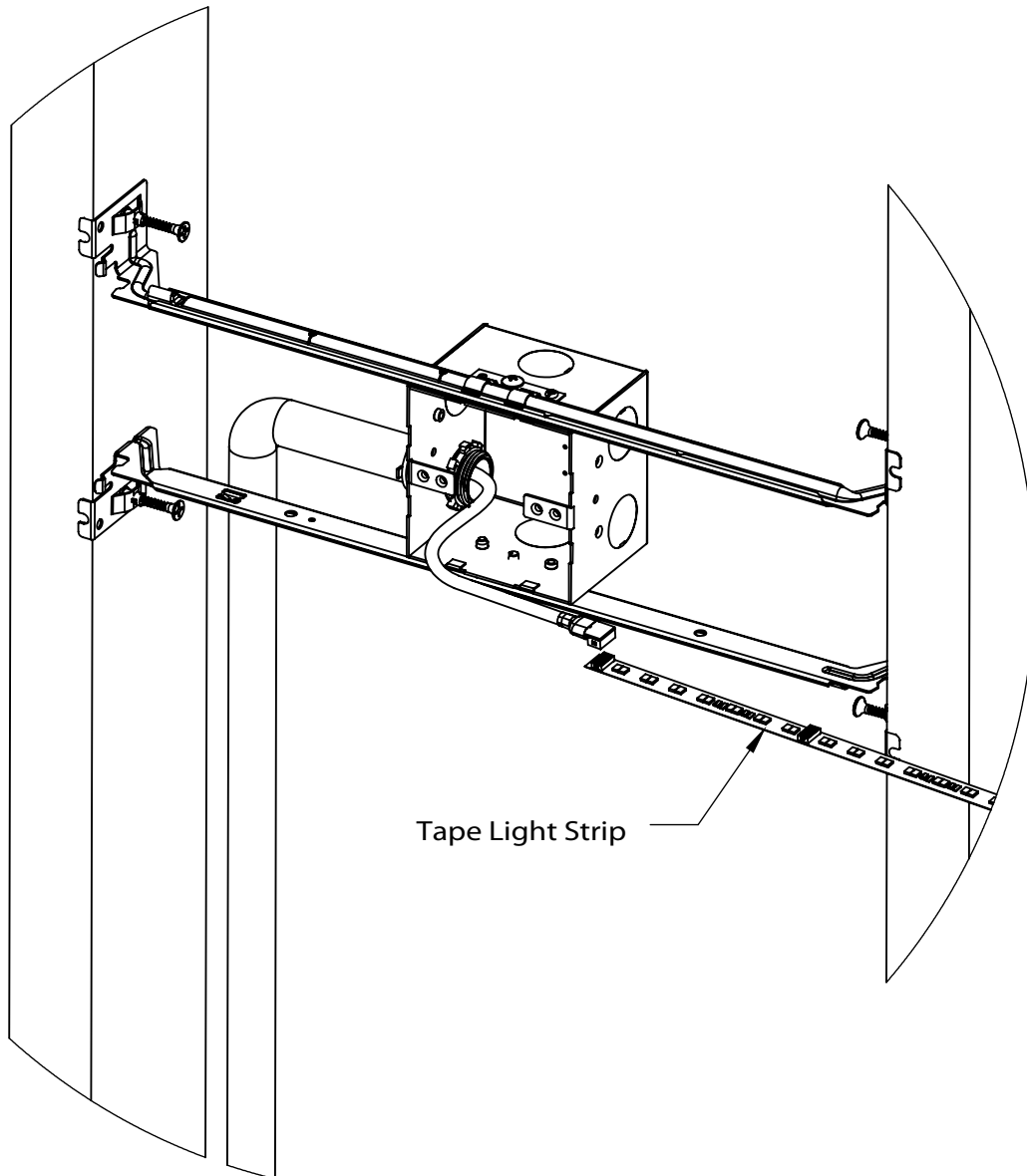
AiSPIRE retains the right to modify the design of our products at any time as part of the company's continuous improvement program.

INSTALLATION INSTRUCTION

Recessed Channel

A2L50-8-WT

5. Check all wiring connections and make sure all wiring is done as instructed. Plug in the Tape Light Strip and turn on the power to ensure the lights are working properly. Remove the tape light strip for later use if it is powered properly.



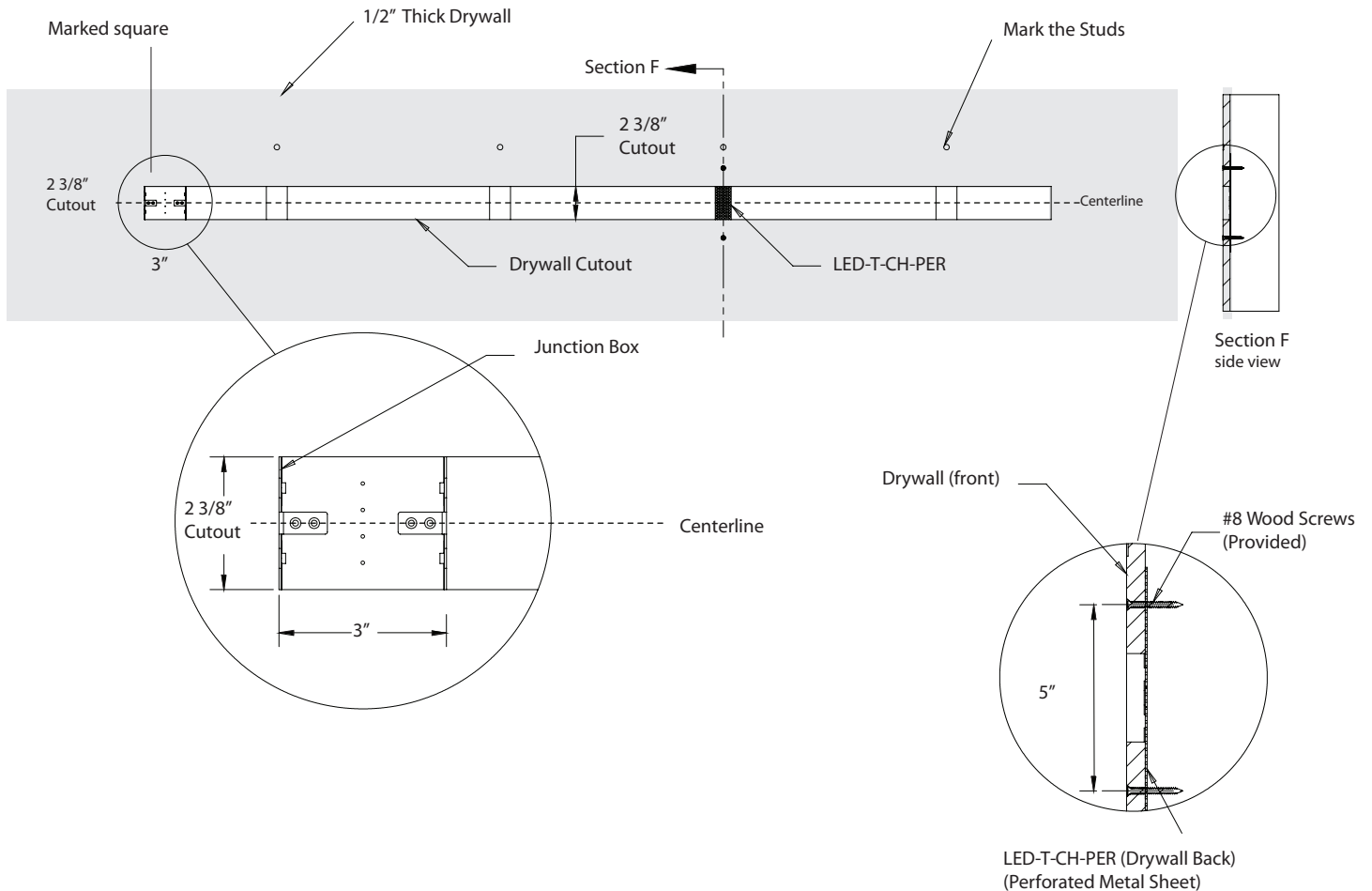
AiSPIRE retains the right to modify the design of our products at any time as part of the company's continuous improvement program.

INSTALLATION INSTRUCTION

Recessed Channel

A2L50-8-WT

6. Mark a $2\frac{3}{8}'' \times 3''$ square on the drywall where the junction box will be located.
Cut out the **marked square** using a jabsaw or "Rotozip" tool.
Mount the drywall to the studs.
Using the drywall opening as reference, mark $2\frac{3}{8}''$ wide lines and cut the desired length of the channel along the drywall.
Mark the location of the Stud for later use.
In any cases where no stud/joist is present, **LED-T-CH-PER** may be used to secure the channel to the dry wall.
Mount LED-T-CH-PER with two #8 Wood Screws 5" apart centered around the cutout. **LED-T-CH-PER** should be spaced in 2 feet.



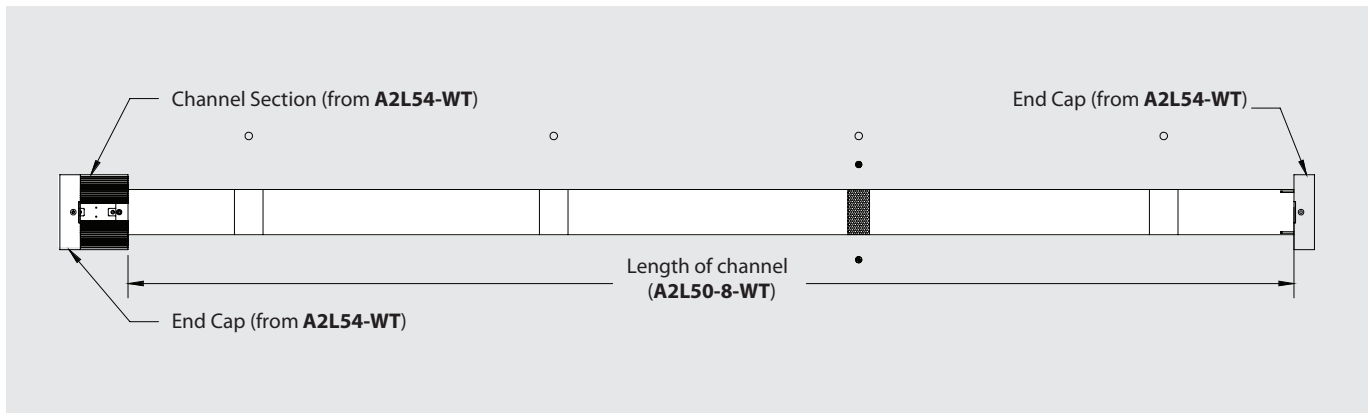
AiSPIRE retains the right to modify the design of our products at any time as part of the company's continuous improvement program.

INSTALLATION INSTRUCTION

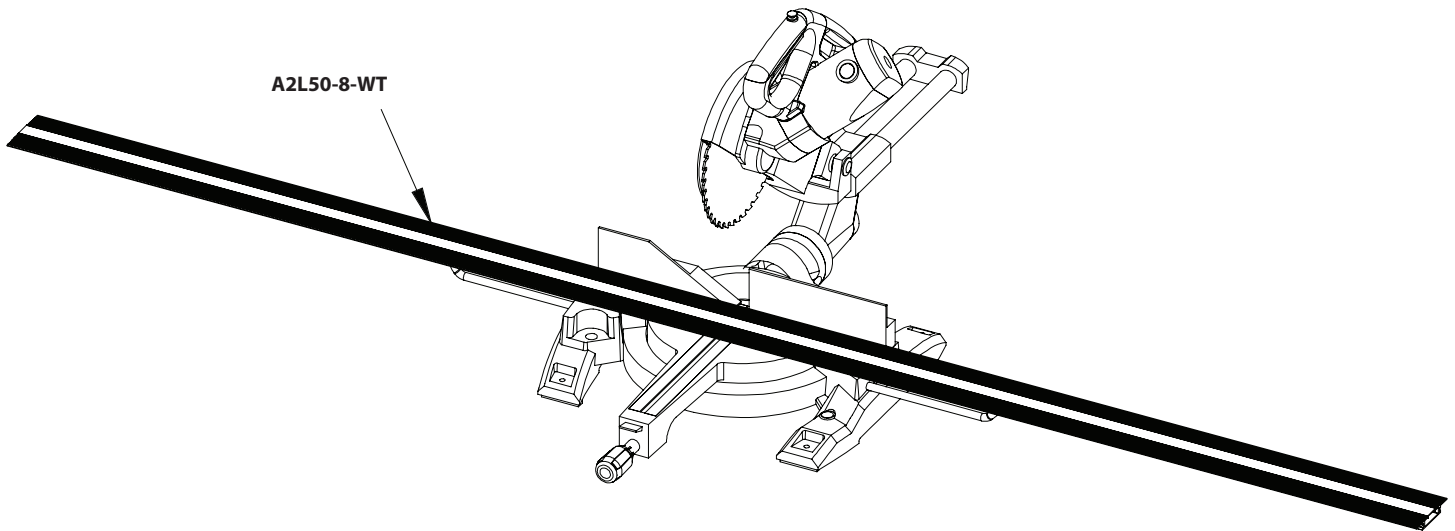
Recessed Channel

A2L50-8-WT

7. Insert the End Cap & Channel Section from **A2L54-WT** to the power feed side & insert one End Cap from **A2L54-WT** to the opposite side temporarily.
Measure the LENGTH OF CHANNEL in between precisely.
Write the number down on a paper.
Remove the End Caps and Channel Section from the drywall.



8. If required for installation, cut down **A2L50-8-WT** to measured/desired length with hacksaw or miter saw that has an appropriate blade for cutting aluminum. Always wear safety goggles when cutting.
(Note: Channel should be cut together with the diffuser to ensure proper fitting.)



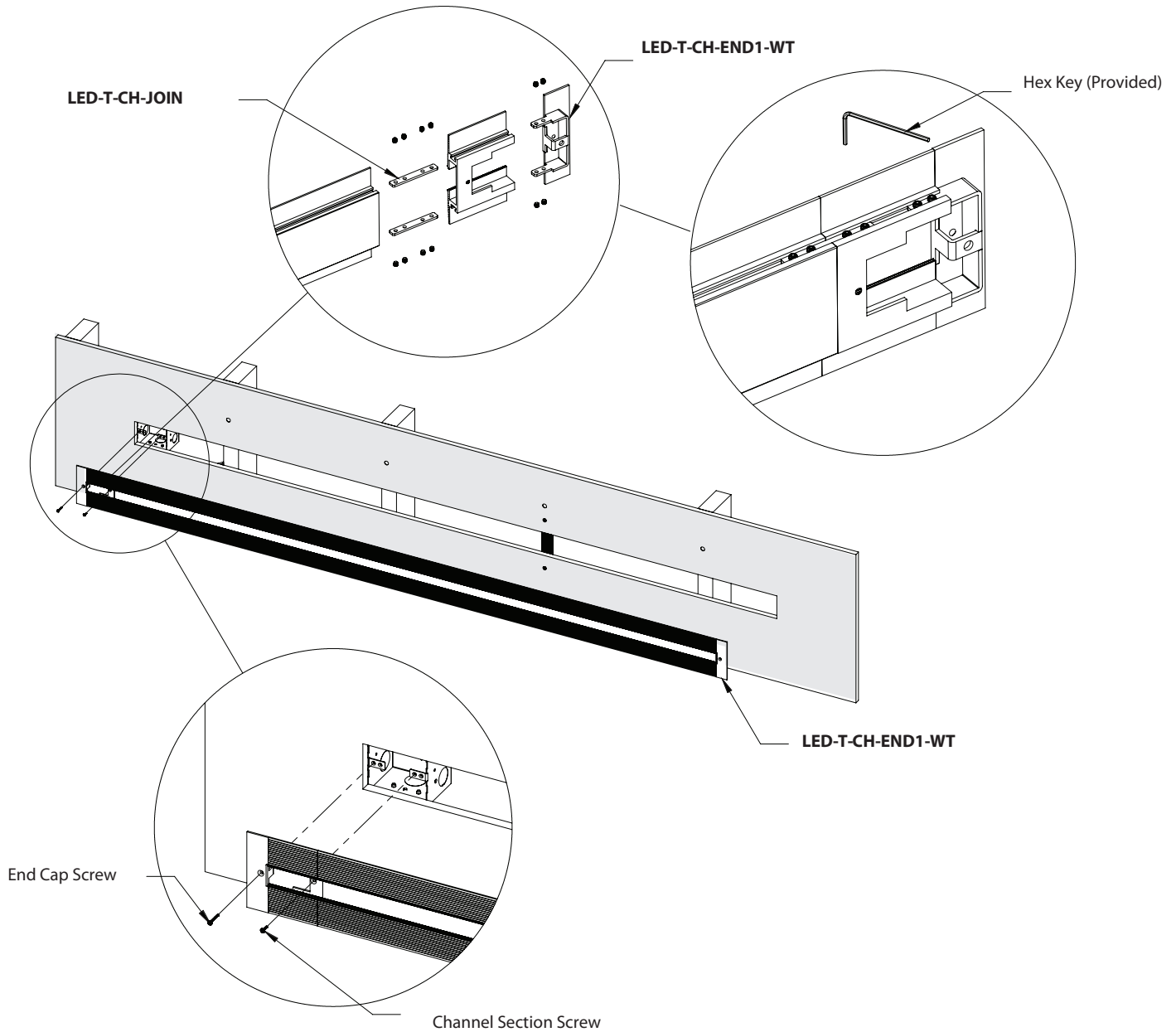
AiSPIRE retains the right to modify the design of our products at any time as part of the company's continuous improvement program.

INSTALLATION INSTRUCTION

Recessed Channel

A2L50-8-WT

9. Insert **LED-T-CH-JOIN** half way into the slots of each channel end and butt the channels against each other. Lock the channels tightly together and secure them with the provide hex key. Mount the **LED-T-CH-END1-WT** to the end of the channel. Push the whole channel assembly into the drywall cutout. Mount the channel assembly to the Junction Box with End Cap Screw and Channel Section Screw.



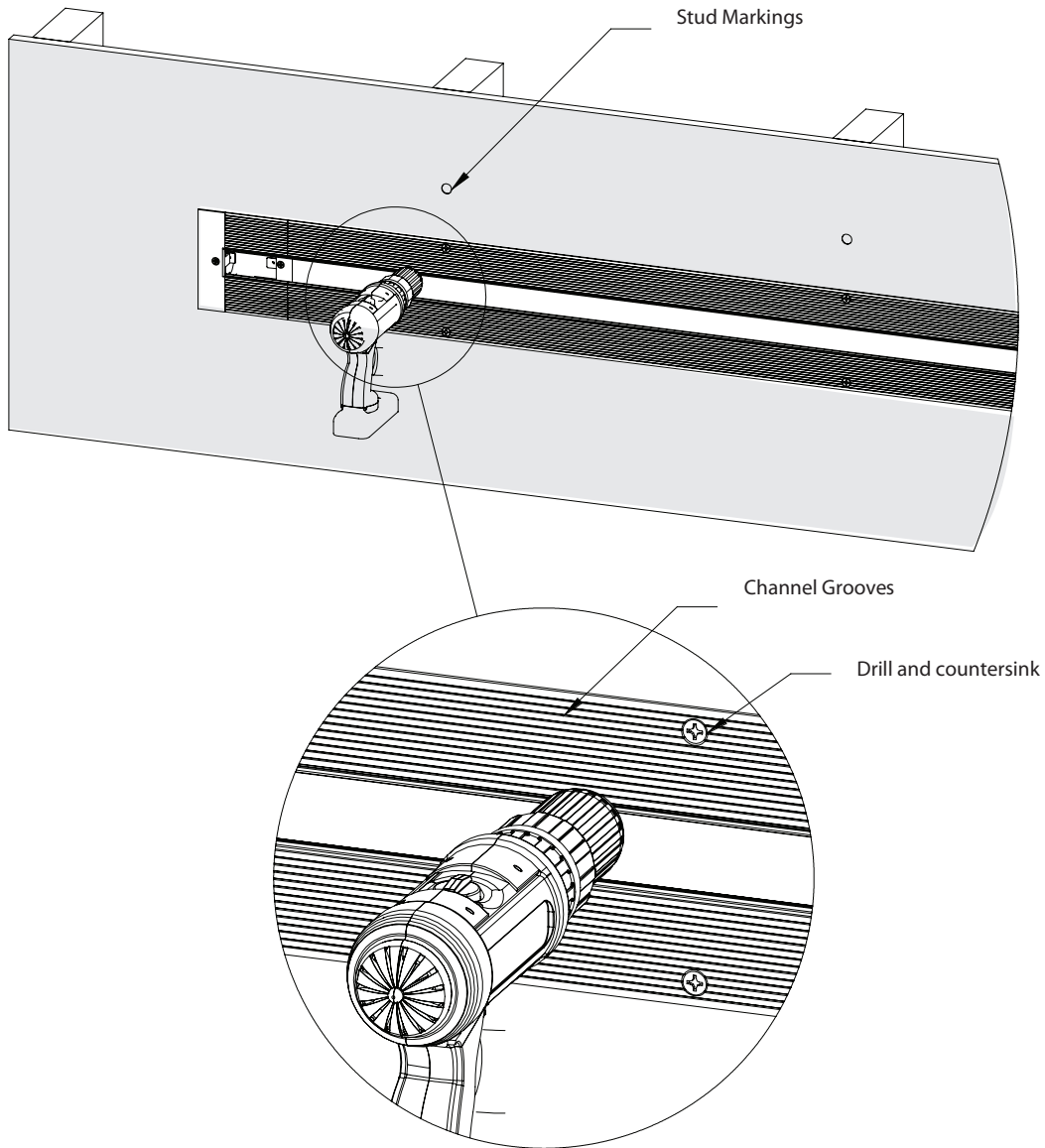
AiSPIRE retains the right to modify the design of our products at any time as part of the company's continuous improvement program.

INSTALLATION INSTRUCTION

Recessed Channel

A2L50-8-WT

10. Make sure channel is aligned straight using a laser level.
Use the Marked Stud Locations on the drywall and the Channel Grooves, carefully drill (LED-T-CH-BIT) and countersink (**LED-T-CH-SINK**) the channel.
Properly secure the channel to the drywall using drywall screws.
Make sure all screw heads are flush with the channel surface for plaster work later.



AiSPIRE retains the right to modify the design of our products at any time as part of the company's continuous improvement program.

INSTALLATION INSTRUCTION

Recessed Channel

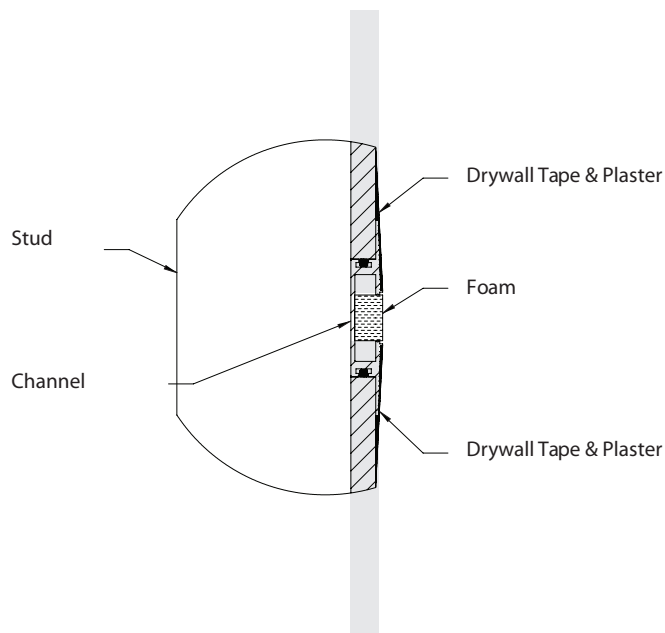
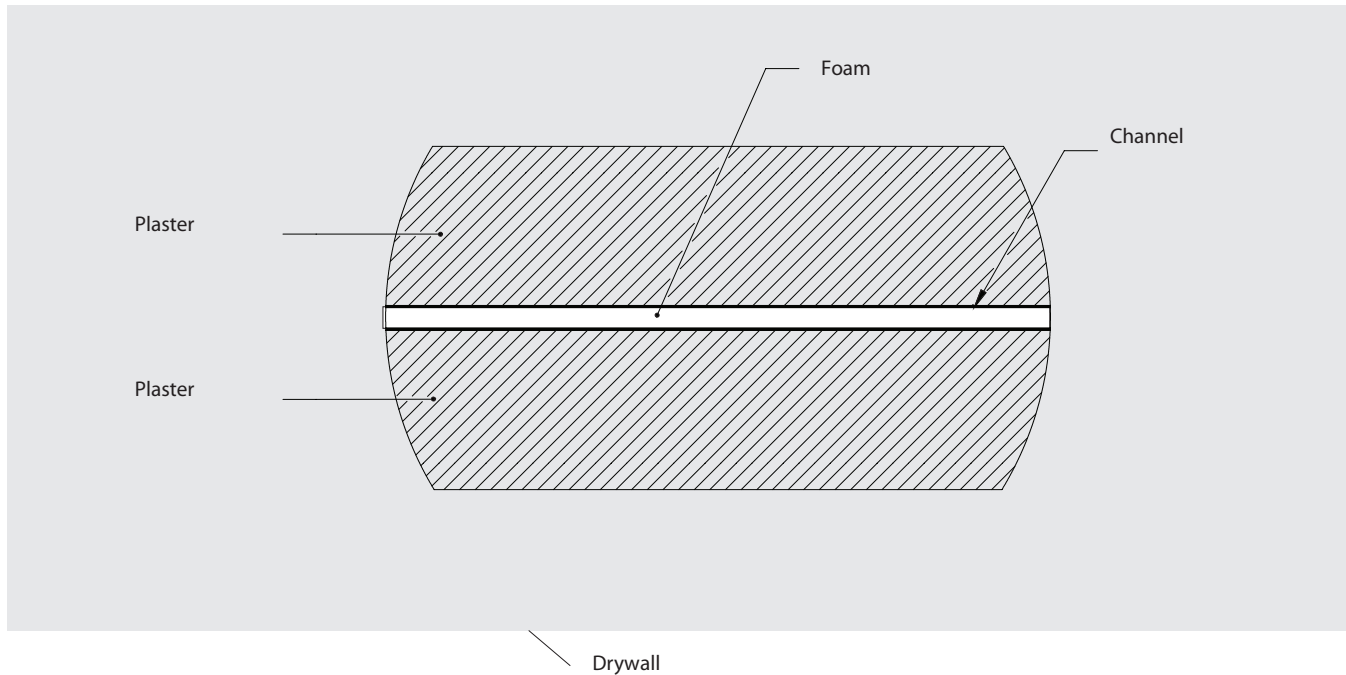
A2L50-8-WT

11. Cover up the opening section of the channel with the provided Foam to prevent plaster and dust entering the channel. Apply ultra-thin drywall tape along edges of the channel to prevent cracking of plaster after installation.

Note: Do not overlap drywall tapes.

Plaster the channel edges to the drywall. Sand and paint the wall properly.

After the plaster cures, remove the Foam and clean the inside of the channel before installing the LED Tape Light Strip.



AiSPIRE retains the right to modify the design of our products at any time as part of the company's continuous improvement program.

INSTALLATION INSTRUCTION

Recessed Channel

A2L50-8-WT

12. Pull out the tape light input cable from Junction Box.
Plug the Tape Light Strip into the Wire Connector.
Tuck the wire connector back to the junction box.

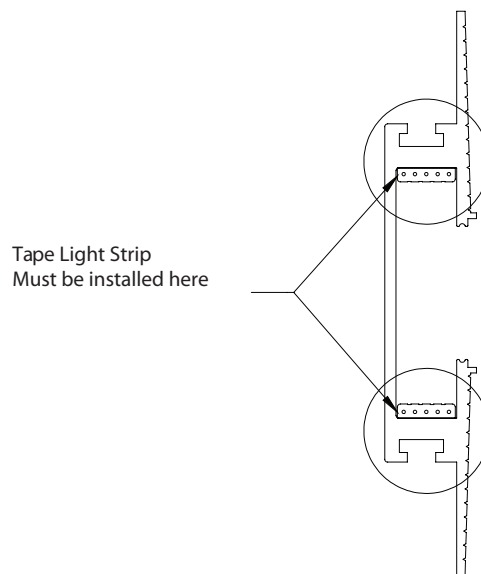
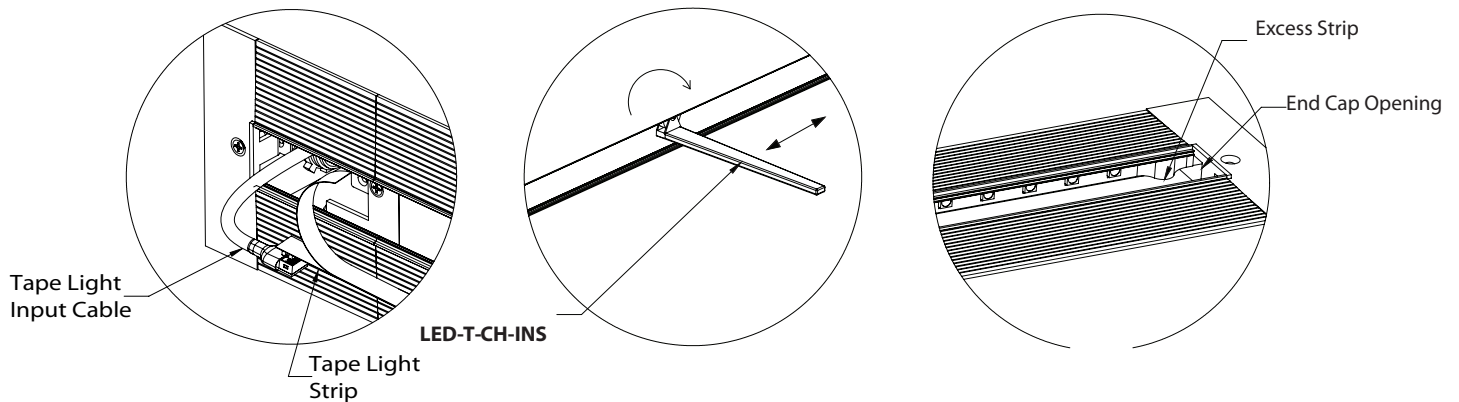
Removing the backing from the tape light strip and install it inside the channel by using your fingers or the provided tool **LED-T-CH-INS**.

Make sure to push the connector as close to the end of the channel as possible to eliminate dark spot at the beginning of the run.

Make sure that the tape light strip is firmly attached to the channel.

Note: There are two positions for installing the tape light strips.
Tape light strips can be installed at either position.
Or two strips can be installed at the same time.

After trimming the tape light strip on cuttable section, place the excess strip behind the drywall through the End Cap Opening.



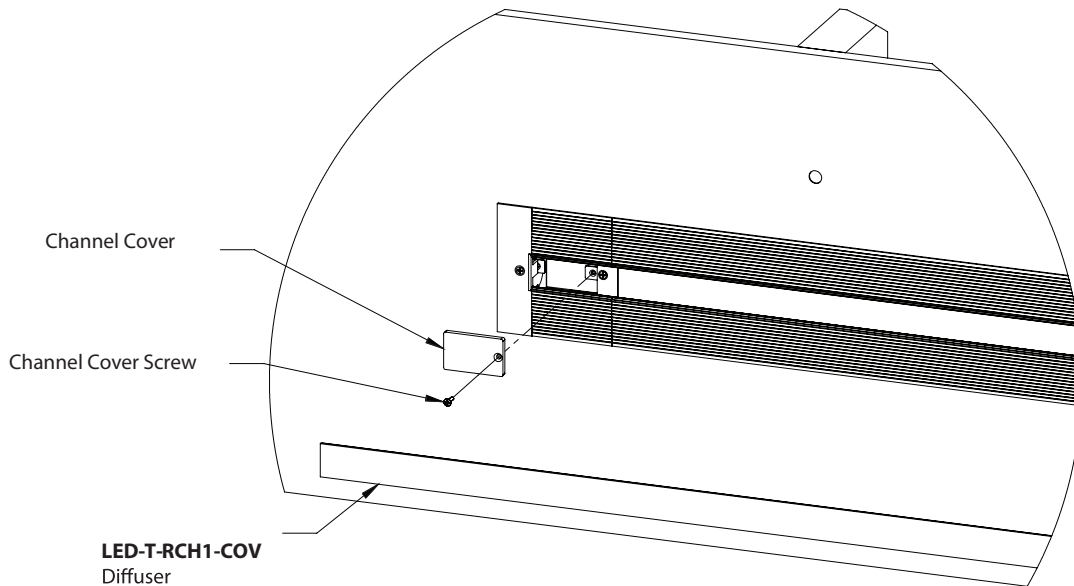
AiSPIRE retains the right to modify the design of our products at any time as part of the company's continuous improvement program.

INSTALLATION INSTRUCTION

Recessed Channel

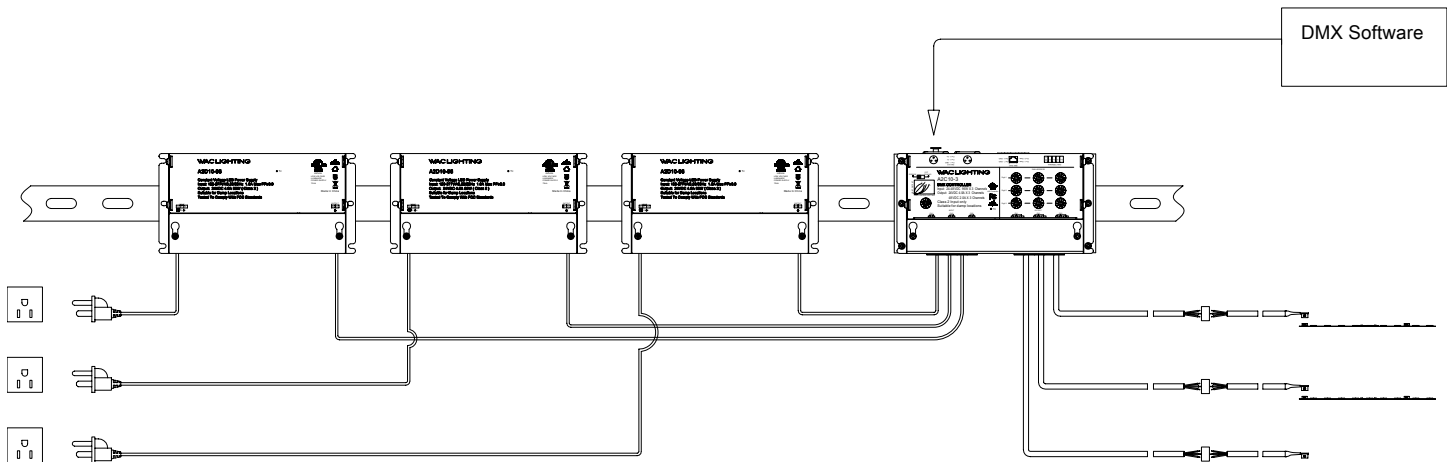
A2L50-8-WT

13. Screw the Channel Cover back to the channel.
Push the Diffuser LED-T-RCH1-COV onto the channel.
Turn on the power and the installation is finished..



SYSTEM DIAGRAM:

Linear TUNABLE WHITE & Linear RGBW/W shall be used with AiSPIRE DMX LED Controller at all times. Using other DMX LED controller brands will result in losing an ability to control linear TUNABLE WHITE & Linear RGBW/W tape light. The following diagram is provided as example system design.



AiSPIRE retains the right to modify the design of our products at any time as part of the company's continuous improvement program.

INSTALLATION INSTRUCTION

Recessed Channel

A2L50-8-WT

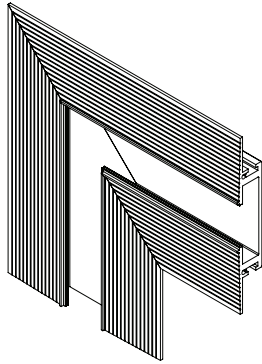
A2L50-8-W Installation Instructions For Angled Configurations

Optional Components Offered:

A2L53-WT

Includes:

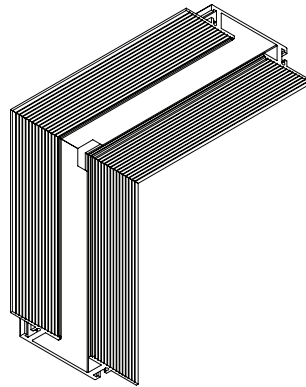
- a) LED-T-CH-PER (2)
- b) LED-T-CH-JOIN (1)



A2L52-WT

Includes:

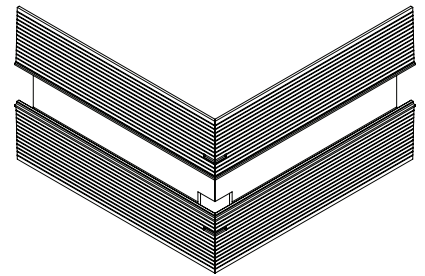
- a) LED-T-CH-PER (2)
- b) LED-T-CH-JOIN (1)



A2L51-WT

Includes:

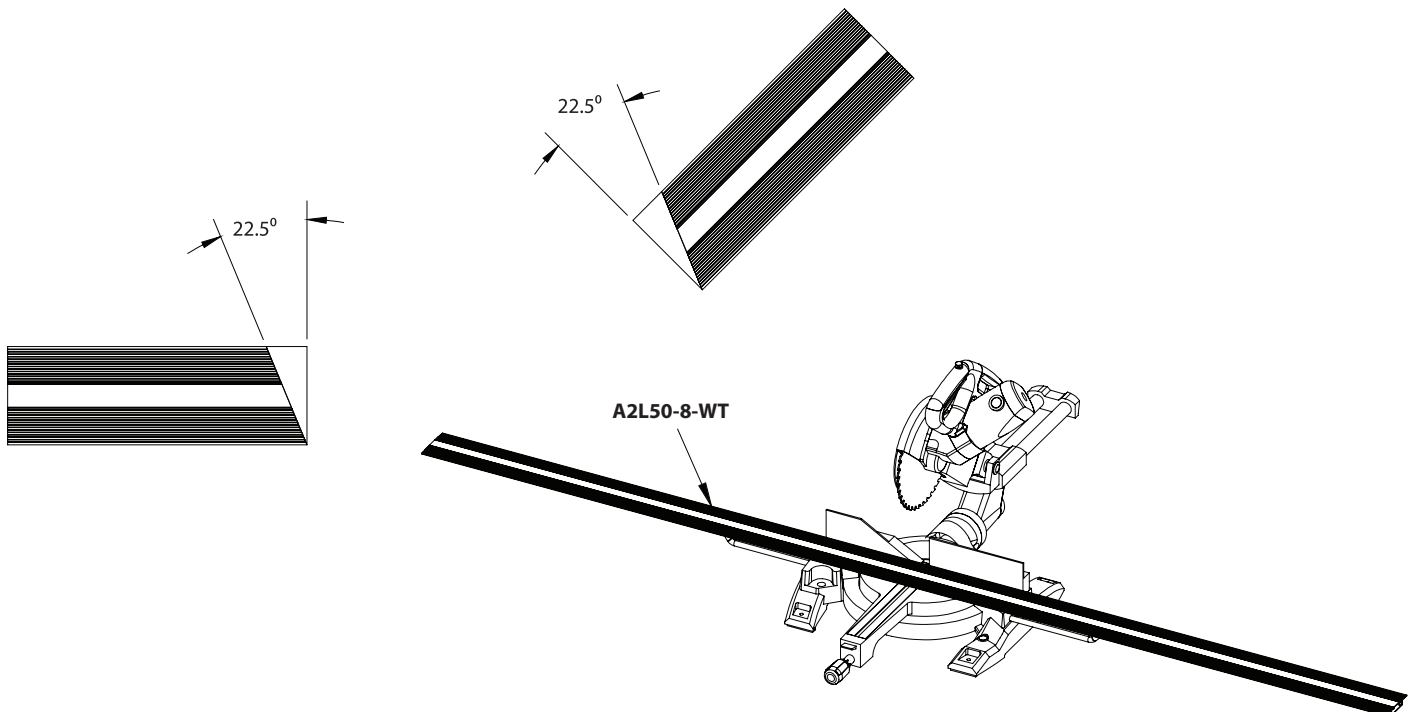
- a) LED-T-CH-PER (2)
- b) LED-T-CH-JOIN (1)



Miter cut channel sections to match installation angle.

Channel should be cut together with the diffuser to ensure proper fitting. (For example, 45° miter = 22.5° cut for each channel.)

Note: make sure the cut is oriented at the right direction.



AiSPIRE retains the right to modify the design of our products at any time as part of the company's continuous improvement program.