

INSTALLATION INSTRUCTION

ASTRO Basics 4" Retrofit

A1RW-R46D

WARNING

IMPORTANT: NEVER attempt to do any work without shutting off the electricity.

- Read all instructions before installing.
- System is intended for installation by a qualified electrician in accordance with the National Electrical Code and local regulations.
- Go to the main fuse box, or circuit breaker. Place the main power switch in the "OFF" position and unscrew the fuse(s) or switch "OFF" the circuit breaker switch(es) that control the power to the fixture or room that you are working on.
- Place the wall switch in the "OFF" position.

AVERTISSEMENT

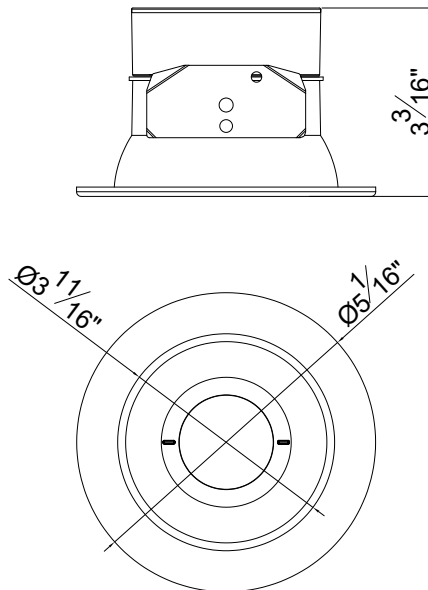
IMPORTANT: Coupez l'électricité avant TOUTE manipulation.

- Lisez toutes les instructions avant d'installer.
- Système est destiné à être installé par un électricien qualifié en conformité avec le code national de l'électricité et les règlements locaux.
- Accédez au panneau central de disjoncteurs ou de fusibles de votre demeure et placez l'interrupteur principal en position d'arrêt (« OFF »).
- Placez l'interrupteur mural en position d'arrêt (« OFF »).

CAUTION

All parts must be used as indicated in these instructions. Do not substitute any parts, leave parts out, or use any parts that are worn out or broken. Failure to follow this instruction could invalidate the ETL/cETL listing of this fixture.

OVERALL DIMENSIONS



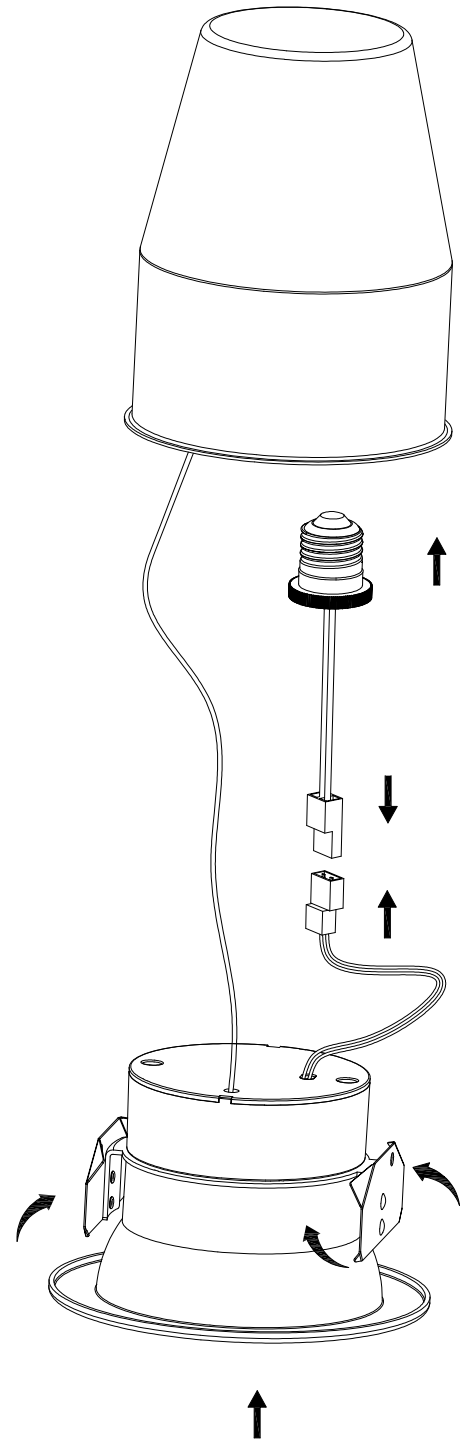
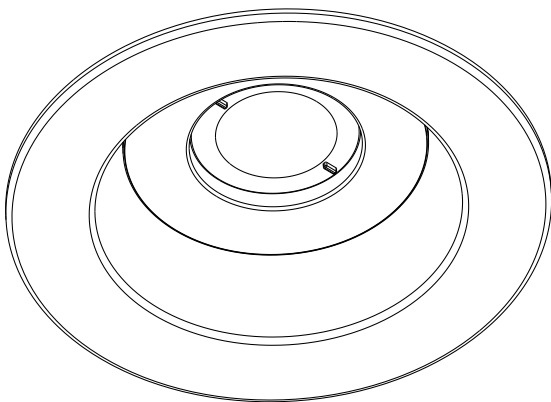
HOUSING COMPATIBILITY	
Halo	H99
Juno	IC1, TC1

AiSPIRE retains the right to modify the design of our products at any time as part of the company's continuous improvement program.

INSTALLATION INSTRUCTION
ASTRO Basics 4" Retrofit
A1RW-R46D

FIXTURE INSTALLATION

1. **Note:** This fixture may work with additional housings outside of the ones listed above.
2. Connect the E26 socket to the fixture wires using the quick-connect adapters provided.
3. Twist the E26 socket into the socket base in the recessed housing.
4. Insert the installation clips into the housing.
5. Push the fixture upward until it is flush with the ceiling.
6. Rotate the lens to change the beam angle and swivel the light engine to change direction.



AiSPIRE retains the right to modify the design of our products at any time as part of the company's continuous improvement program.