

INSTALLATION INSTRUCTION

ASTRO BASICS 4IN RETROFIT FRAME

A1RW-146



WARNING

IMPORTANT: NEVER attempt to do any work without shutting off the electricity.

- Read all instructions before installing.
- System is intended for installation by a qualified electrician in accordance with the National Electrical Code and local regulations.
- Go to the main fuse box, or circuit breaker. Place the main power switch in the "OFF" position and unscrew the fuse(s) or switch "OFF" the circuit breaker switch(es) that control the power to the fixture or room that you are working on.
- Place the wall switch in the "OFF" position.

AVERTISSEMENT

IMPORTANT: Coupez l'électricité avant TOUTE manipulation.

- Lisez toutes les instructions avant d'installer.
- Système est destiné à être installé par un électricien qualifié en conformité avec le code national de l'électricité et les règlements locaux.
- Accédez au panneau central de disjoncteurs ou de fusibles de votre demeure et placez l'interrupteur principal en position d'arrêt (« OFF »).
- Placez l'interrupteur mural en position d'arrêt (« OFF »).

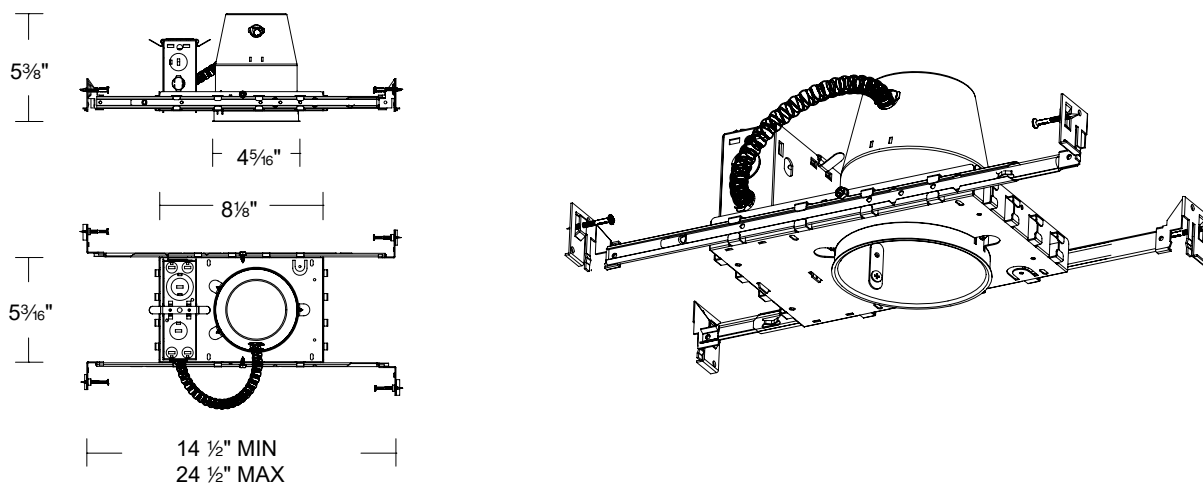
CAUTION

All parts must be used as indicated in these instructions. Do not substitute any parts, leave parts out, or use any parts that are worn out or broken. Failure to follow this instruction could invalidate the ETL/cETL listing of this fixture.

OVERVIEW:

Housing is for IC Airtight new construction applications(Refer to table below). Housing requires a trim from the A1RW-R46D series to be complete (ordered separately).

OVERALL HOUSING DIMENSION



SPECIFICATIONS	
Input	120VAC, 50/60Hz
Dimming	ELV / TRIAC
IC Airtight Rated Model	A1RW-146

AISPIRE retains the right to modify the design of our products at any time as part of the company's continuous improvement program.

INSTALLATION INSTRUCTION
ASTRO BASICS 4IN RETROFIT FRAME
A1RW-146



INSTALLATION INSTRUCTIONS:

1. Install housing using two hanger bars (24" max). Bars are notched on the ends to fit over "T" bars in suspended ceilings (See FIG. 2A).

2. Hanger bars include a captive mounting "screw-nail" for ease of installation (See FIG. 1). Align the bottom of the hanger bar with the bottom of the wood joist. Secure the "screw-nail" on each end by screwdriver (See FIG. 2B), or by hammer (See FIG. 2C).

3. Slide fixture housing along bar hangers into desired location. Use locking screws to secure (See FIG. 2D).

4. To shorten hanger bars to fit in a 12" joist, snap off one section of the hanger bars (See FIG. 3).

5. Junction box is suitable for branch wiring and has trade size knockouts and integral nonmetallic sheathed cable connectors.

6. Pry open the knock out and push the wire through the clamp plate inside.

7. Wire connections must be installed in a manner that does not interfere with the strain relief action of the clamp.

WIRING:

1. Remove spring latched junction box door and connect fixture wires to building wires: Green ground wire to bare copper or green building wire, white fixture wire to white neutral wire, black fixture wire to (hot) black wire. Use wire nuts (supplied).

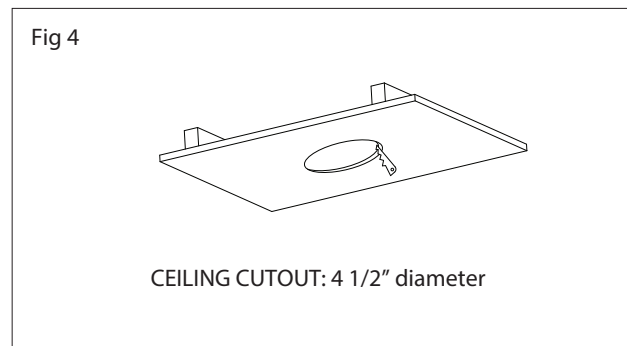
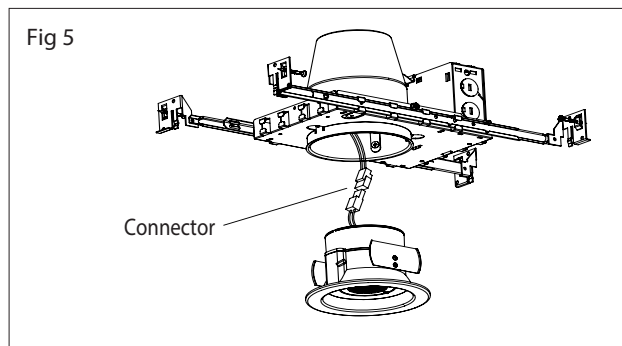
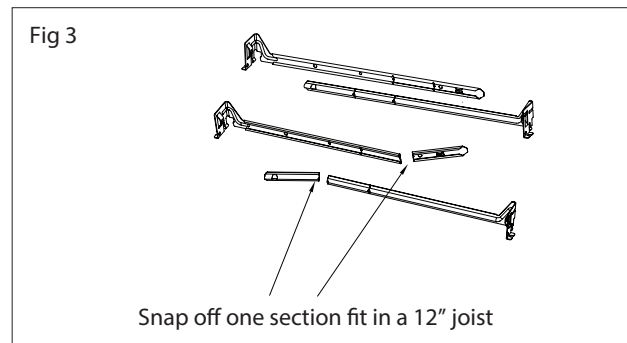
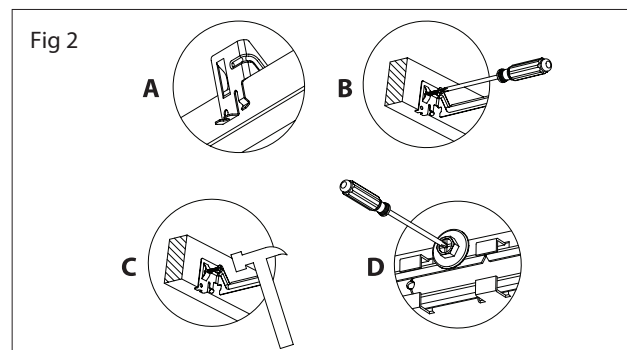
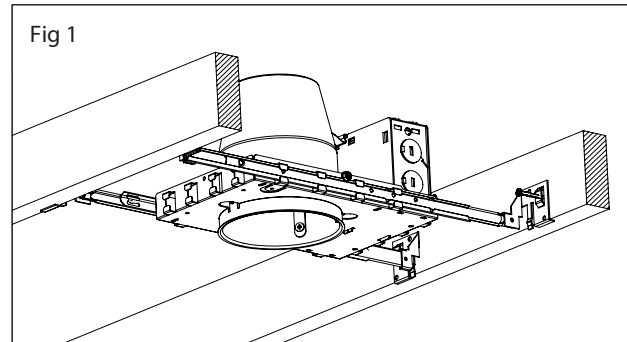
2. Replace junction box door.

FINISHING:

1. Cut a 4 1/2" diameter hole in the ceiling at the point of installation and install ceiling (See FIG. 4).

2. Connect the connector of the lamp to the connector of the housing (Fig 5)

3. Push the trim assembly up until the trim ring is flush to the ceiling.



AISPiRE retains the right to modify the design of our products at any time as part of the company's continuous improvement program.