

INSTALLATION INSTRUCTION

QUARTUS ATMOSPHERE / AURORA 4" - Round Trim

A1RT-D46M, D47M, A46M, A47M, W46A, W47A-C2; A1RT-D46M, D47M, A46M, A47M, W46A, W47A-CC



WARNING

IMPORTANT: NEVER attempt to do any work without shutting off the electricity.

- Read all instructions before installing.
- System is intended for installation by a qualified electrician in accordance with the National Electrical Code and local regulations.
- Place the wall switch in the "OFF" position.
- Go to the main fuse box, or circuit breaker. Unscrew the fuse(s) or switch "OFF" the circuit breaker switch(es) that control the power to the space that you are working on.

AVERTISSEMENT

IMPORTANT: Coupez l'électricité avant TOUTE manipulation.

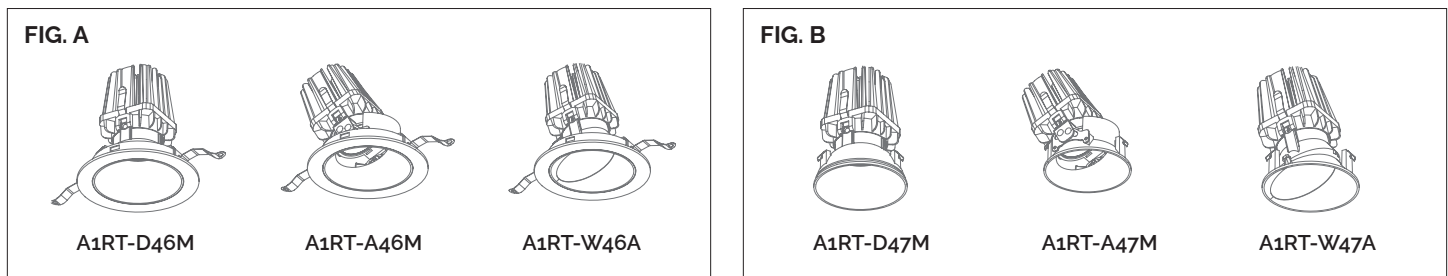
- Lisez toutes les instructions avant d'installer.
- Système est destiné à être installé par un électricien qualifié en conformité avec le code national de l'électricité et les règlements locaux.
- Accédez au panneau central de disjoncteurs ou de fusibles de votre demeure et placez l'interrupteur principal en position d'arrêt (« OFF »).
- Placez l'interrupteur mural en position d'arrêt (« OFF »).

CAUTION

All parts must be used as indicated in these instructions. Do not substitute any parts, leave parts out, or use any parts that are worn out or broken. Failure to follow this instruction may invalidate the UL listing of this fixture.

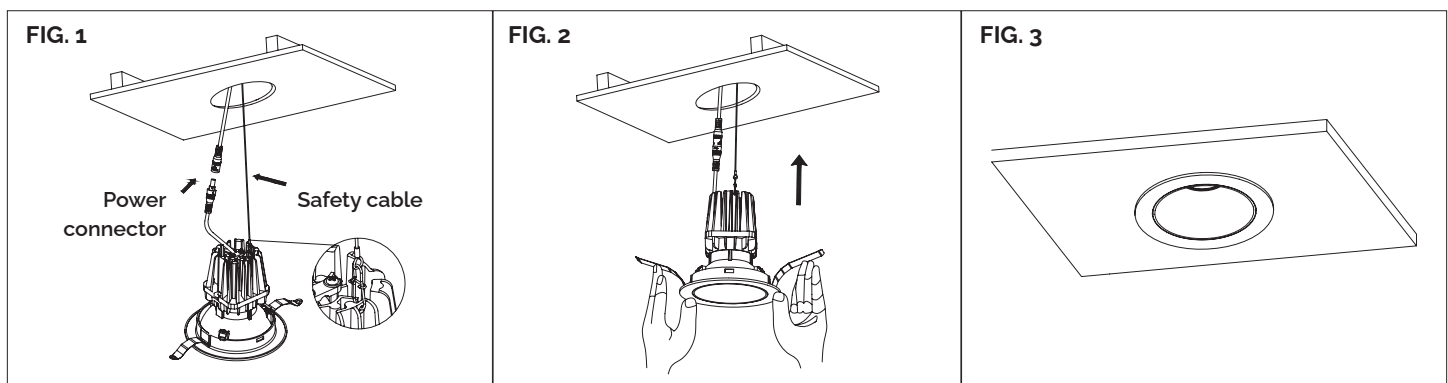
TRIM MODEL

Trims A1RT-D46M, A1RT-A46M and A1RT-W46A (**Fig. A**) and trimless trims A1RT-D47M, A1RT-A47M and A1RT-W47A (**Fig. B**) can be used with remodel and new construction housings. Refer to specification sheets for compatible housings and follow appropriate housing instructions to begin installation.



TRIM INSTALLATION (Applies to A1RT-D46M (featured in all figures), A1RT-A46M, A1RT-W46A)

1. Raise trim assembly to ceiling cutout and connect power connector and safety cable (See **FIG.1**).
2. Fold trim assembly mounting springs inward and insert trim assembly into ceiling cutout. Be sure once installed, trim assembly is flush and secure (See **FIG. 2 & 3**).



aispire.com

Phone (800) 526.2588

Fax (800) 526.2585

Headquarters

44 Harbor Park Drive,
Port Washington, NY 11050

Georgia Distribution Center

1600 Distribution Ct.,
Lithia Springs, GA 30122

Texas Distribution Center

1700 S J Elmer Weaver Fwy Suite 100,
Cedar Hill, TX 75104

California Distribution Center

1750 S Archibald Ave.,
Ontario, CA 91761

INSTALLATION INSTRUCTION

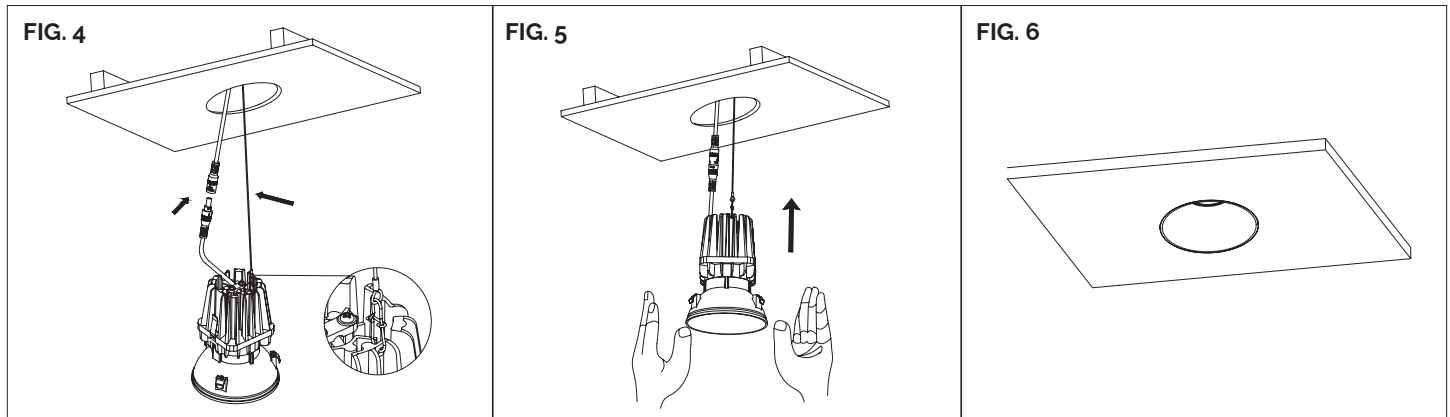
QUARTUS ATMOSPHERE / AURORA 4" - Round Trim

A1RT-D46M, D47M, A46M, A47M, W46A, W47A-C2; A1RT-D46M, D47M, A46M, A47M, W46A, W47A-CC



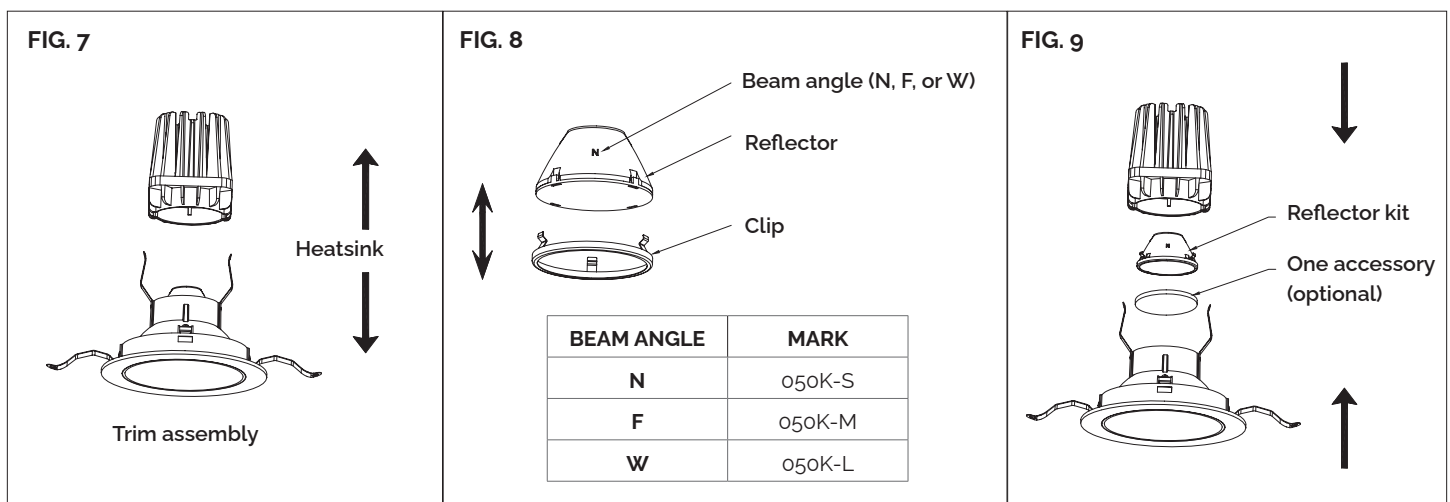
TRIMLESS TRIM INSTALLATION (Applies to A1RT-D47M (featured in all figures), A1RT-A47M, A1RT-W47A)

1. Raise trim assembly to ceiling cutout and connect power connector and safety cable (See FIG.4).
2. Insert trim assembly into ceiling spackle ring and engage the trim with spackle ring properly and flush to the ceiling (See FIG. 5, 6).



REFLECTOR REPLACEMENT AND ACCESSORY INSTALLATION

1. Remove heatsink from trim assembly (See FIG.7).
2. Remove the reflector and the clip (the reflector kit) from the top of the trim. Separate the reflector from the clip and dispose the removed reflector.
3. Select the replacement reflector and insert it to the clip (See FIG. 8).
4. Place one accessory into the trim opening (optional, one only) and insert the reflector kit to the trim top (See FIG. 9).
5. Reinstall heatsink and trim assembly.



aispire.com
Phone (800) 526.2588
Fax (800) 526.2585

Headquarters
44 Harbor Park Drive,
Port Washington, NY 11050

Georgia Distribution Center
1600 Distribution Ct.
Lithia Springs, GA 30122

Texas Distribution Center
1700 S J Elmer Weaver Fwy Suite 100,
Cedar Hill, TX 75104

California Distribution Center
1750 S Archibald Ave.
Ontario, CA 91761

INSTALLATION INSTRUCTION

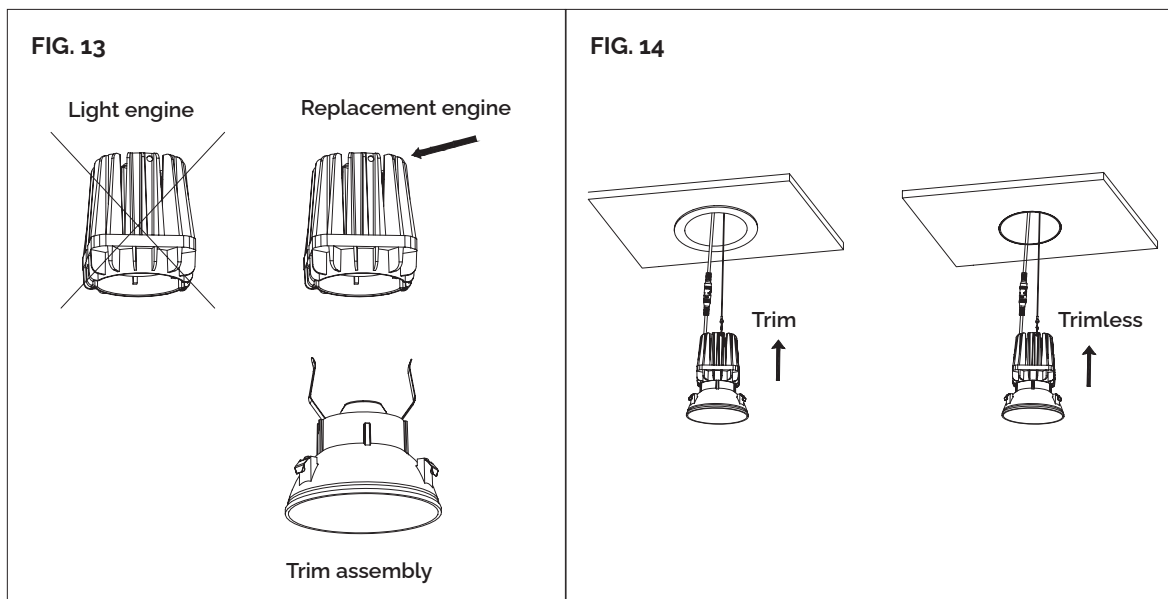
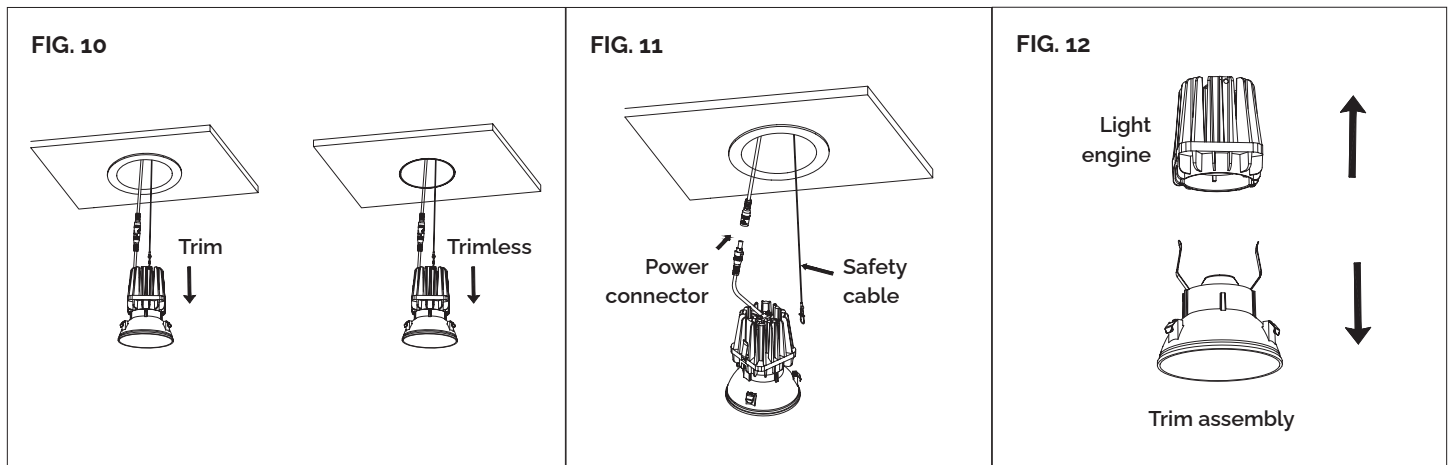
QUARTUS ATMOSPHERE / AURORA 4" - Round Trim

A1RT-D46M, D47M, A46M, A47M, W46A, W47A-C2; A1RT-D46M, D47M, A46M, A47M, W46A, W47A-CC



REPLACE THE LED ENGINE

1. Power off fixture and let fixture cool down.
2. Remove the trim assembly from the ceiling (See FIG. 10).
3. Disconnect wire connector and safety cable (See FIG. 11).
4. Remove the light engine from the trim assembly (See FIG. 12).
5. Install the replacement engine on the trim (See FIG. 13).
6. Connect power connector and safety cable, then reinstall the trim assembly inside fixture to complete (See FIG. 14).



aispire.com

Phone (800) 526.2588

Fax (800) 526.2585

Headquarters

44 Harbor Park Drive,

Port Washington, NY 11050

Georgia Distribution Center

1600 Distribution Ct.

Lithia Springs, GA 30122

Texas Distribution Center

1700 S J Elmer Weaver Fwy Suite 100,

Cedar Hill, TX 75104

California Distribution Center

1750 S Archibald Ave.

Ontario, CA 91761

INSTALLATION INSTRUCTION

QUARTUS ATMOSPHERE / AURORA 4" - Round Trim

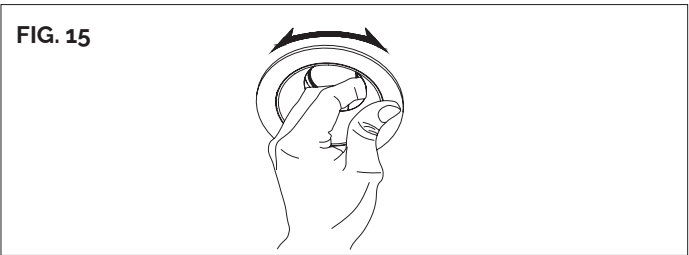
A1RT-D46M, D47M, A46M, A47M, W46A, W47A-C2; A1RT-D46M, D47M, A46M, A47M, W46A, W47A-CC



ADJUSTABLE TRIM (APPLIES TO A1RT-A46M (FEATURED IN ALL FIGURES), A1RT-A47M)

1. Horizontal Angle Adjustment

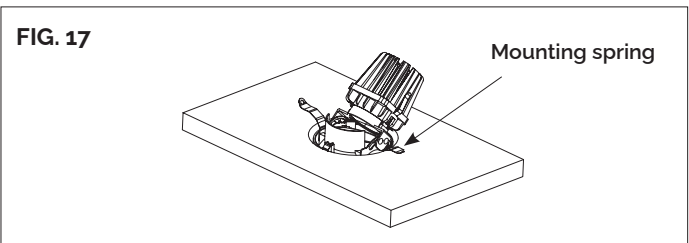
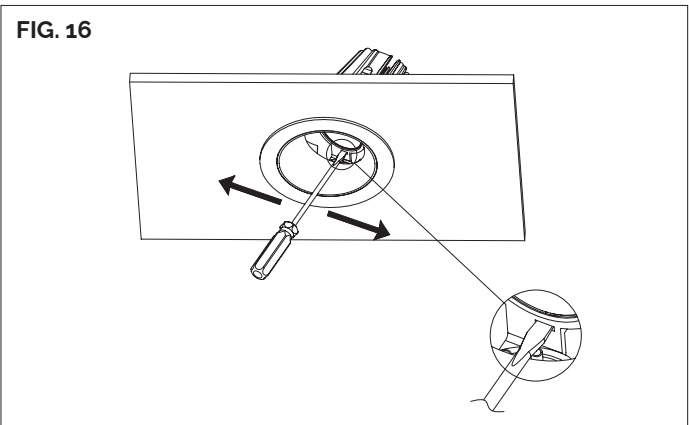
Grip the top edge of the adjustable trim and gently rotate the trim to the desired direction (See FIG. 15).



2. Vertical Angle Adjustment

Use a flat screw driver to engage the slot on the reflector ring and gently push forward or backward to reach the desired tilting angle (See FIG. 16).

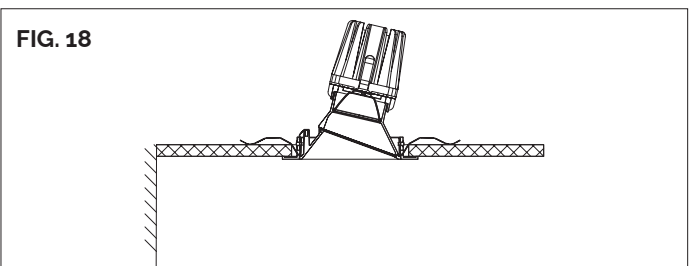
For achieving the maximal tilting angle, adjust trim flange orientation to ensure the two mounting springs don't interfere with vertical tilting (See FIG. 17).



WALL WASH TRIM (APPLIES TO A1RT-W46A (FEATURED IN ALL FIGURES), A1RT-W47A)

1. Aiming Wall Wash Trim to the Desired Wall

Rotate the the Wall Wash trim to have the sloped lens facing the lighted wall (See FIG. 18).



2. Remove Wall Wash Trim From Fixture

Insert the tip of a small flat screw driver into the notch on the top the trim and gently pull down the trim (See FIG. 19).

Take care or add protection padding to avoid damaging trim finish.

