

INSTALLATION INSTRUCTION

QUARTUS ATMOSPHERE / AURORA 4" - New Construction Housing



A1RT-2661, 2662, 2663-C2; A1RT-2471, 2472, 2473-C2; A1RT-2571, 2572, 2573-C2; A1RT-2661, 2471, 2571-CC

WARNING

IMPORTANT: NEVER attempt to do any work without shutting off the electricity.

- Read all instructions before installing.
- System is intended for installation by a qualified electrician in accordance with the National Electrical Code and local regulations.
- Go to the main fuse box, or circuit breaker. Place the main power switch in the "OFF" position and unscrew the fuse(s) or switch "OFF" the circuit breaker switch(es) that control the power to the fixture or room that you are working on.
- Place the wall switch in the "OFF" position.

AVERTISSEMENT

IMPORTANT: Coupez l'électricité avant TOUTE manipulation.

- Lisez toutes les instructions avant d'installer.
- Système est destiné à être installé par un électricien qualifié en conformité avec le code national de l'électricité et les règlements locaux.
- Accédez au panneau central de disjoncteurs ou de fusibles de votre demeure et placez l'interrupteur principal en position d'arrêt (« OFF »).
- Placez l'interrupteur mural en position d'arrêt (« OFF »).

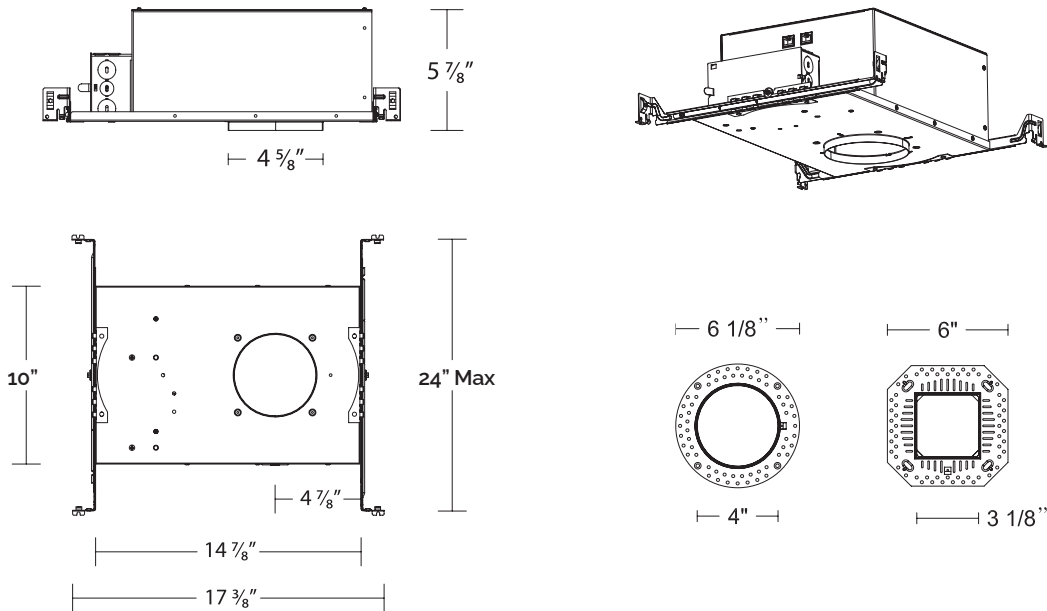
CAUTION

All parts must be used as indicated in these instructions. Do not substitute any parts, leave parts out, or use any parts that are worn out or broken. Failure to follow this instruction could invalidate the ETL/cETL listing of this fixture.

OVERVIEW:

Housing is for IC Airtight or Non-IC Airtight new construction applications (Refer to table below). Housing requires a trim for a finished look. Refer to specification sheets for compatible trim options.

OVERALL HOUSING DIMENSION



SPECIFICATIONS	
Input	120-277V, 50/60Hz
Installation	IC rated Airtight
Dimming	DMX512-A, RDM

INSTALLATION REQUIREMENTS	
Ceiling thickness	1/2" to 1/4"
Minimum required Plenum height	5 7/8"

aispire.com

Phone (800) 526.2588

Fax (800) 526.2585

Headquarters

44 Harbor Park Drive,
Port Washington, NY 11050

Georgia Distribution Center

1600 Distribution Ct,
Lithia Springs, GA 30122

Texas Distribution Center

1700 S J Elmer Weaver Fwy Suite 100,
Cedar Hill, TX 75104

California Distribution Center

1750 S Archibald Ave,
Ontario, CA 91761

INSTALLATION INSTRUCTION

QUARTUS ATMOSPHERE / AURORA 4" - New Construction Housing



A1RT-2661, 2662, 2663-C2; A1RT-2471, 2472, 2473-C2; A1RT-2571, 2572, 2573-C2; A1RT-2661, 2471, 2571-CC

NOTE: Cut the zip tie at the bottom of the housing which secures driver during shipping (See **FIG. A**).

TRIM HOUSING INSTALLATION

1. Install housing using two hanger bars (24" max). Bars are notched on the ends to fit over "T" bars in suspended ceilings (See **FIG. 2A**).
2. Hanger bars include a captive mounting "screw-nail" for ease of installation (See **FIG. 1**). Align the bottom of the hanger bar with the bottom of the wood joist. Secure the "screw-nail" on each end by screwdriver (See **FIG. 2B**), or by hammer (See **FIG. 2C**).
3. Slide fixture housing along bar hangers into desired location. Use locking screws to secure (See **FIG. 2D**).
4. To shorten hanger bars to fit in a 12" joist, snap off one section of the hanger bars (See **FIG. 3**).
5. Remove spring latched fixture junction box door and connect fixture wires to building wires (See **FIG. 4**).
6. Place all wiring and connectors back in junction box and replace the junction box's cover.
7. Cut a 4 3/4" diameter hole in the ceiling at the point of installation and install ceiling (See **FIG. 5**).
8. Refer to trim instruction instructions for appropriate trims to complete the installation.

FIG. A

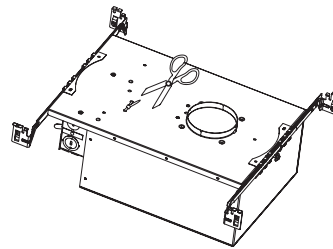


FIG. 1

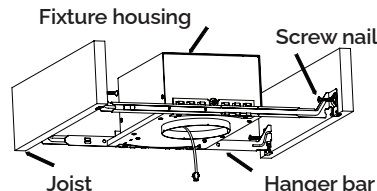


FIG. 2

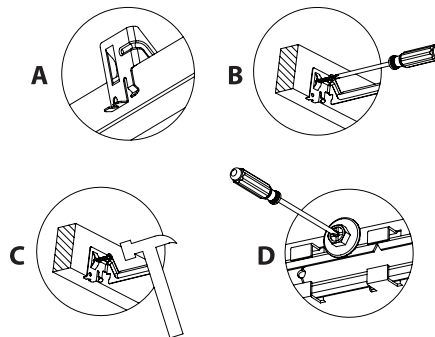


FIG. 3

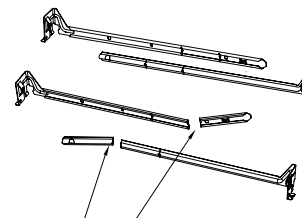
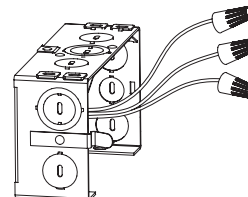
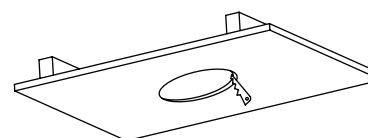


FIG. 4



Black: Hot
Green: Ground
White: Neutral

FIG. 5



Ceiling cutout: 4 3/4"

aispire.com

Phone (800) 526.2588

Fax (800) 526.2585

Headquarters

44 Harbor Park Drive,

Port Washington, NY 11050

Georgia Distribution Center

1600 Distribution Ct.

Lithia Springs, GA 30122

Texas Distribution Center

1700 S J Elmer Weaver Fwy Suite 100,

Cedar Hill, TX 75104

California Distribution Center

1750 S Archibald Ave.

Ontario, CA 91761

INSTALLATION INSTRUCTION

QUARTUS ATMOSPHERE / AURORA 4" - New Construction Housing

A1RT-2661, 2662, 2663-C2; A1RT-2471, 2472, 2473-C2; A1RT-2571, 2572, 2573-C2; A1RT-2661, 2471, 2571-CC



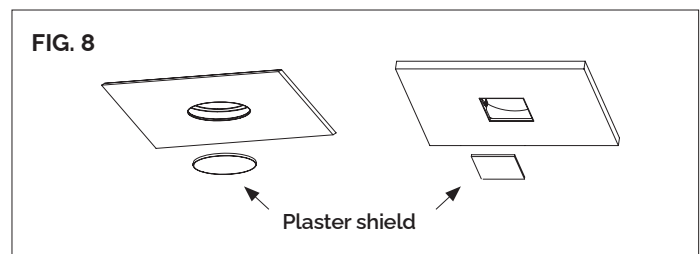
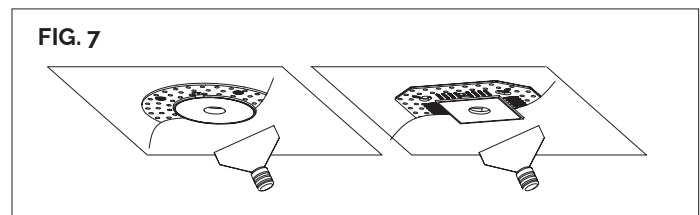
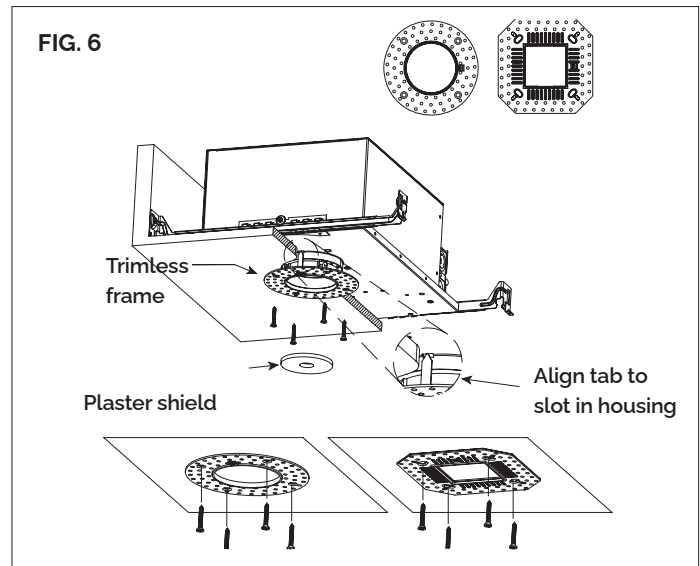
TRIMLESS HOUSING INSTALLATION

Installation procedure applies to both round and square trimless frames. Ceiling cutout is 4 3/4" diameter.

1. Follow steps 1 through 7 of 'Trim Housing Installation' on previous page.
2. Raise the trimless frame aligning tab to slot in housing. Secure the trimless frame to the housing, flush up against the ceiling by using the screws supplied. Put plaster shield inside trim opening (See FIG. 6).

NOTE: When utilizing the square trimless frame, if position isn't as desired, remove screws, lift the tab and rotate until desired position is acquired.

3. Apply plaster or spackle over trimless frame and sand surface when dry for a finished look (See FIG. 7).
4. Remove the plaster shield when finishing is complete (See FIG. 8).
5. Refer to installation instructions for appropriate trims to complete the installation.



INSTALLATION INSTRUCTION

QUARTUS ATMOSPHERE / AURORA 4" - New Construction Housing



A1RT-2661, 2662, 2663-C2; A1RT-2471, 2472, 2473-C2; A1RT-2571, 2572, 2573-C2; A1RT-2661, 2471, 2571-CC

LIGHT ENGINE REPLACEMENT:

Refer to relative trim instruction for LED replacement.

DRIVER REPLACEMENT:

1. Shut off power to the fixture. Remove trim assembly from fixture and disconnect the power connector and safety cable from the trim assembly (See **FIG. 9-1**).
2. Grip the driver locking latch and push to release the driver (See **FIG. 9-2**).
3. Slide the driver out of its mounting track and remove it through the ceiling opening (See **FIG. 9-3**).
4. Disconnect all connectors from the driver and the replace the old driver with the new one (See **FIG. 9-4**). Reverse the steps 1 to 4 to install the new driver to the fixture.

FIG. 9-1

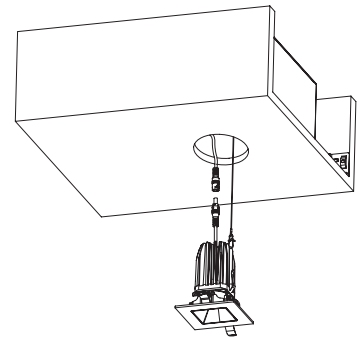


FIG. 9-2

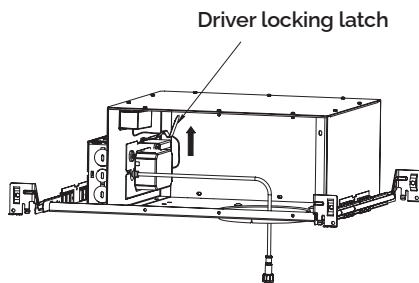


FIG. 9-3

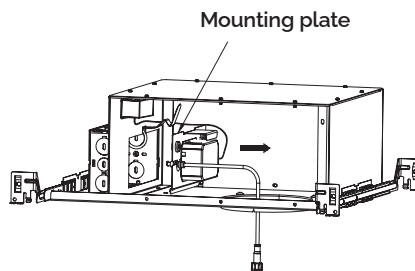
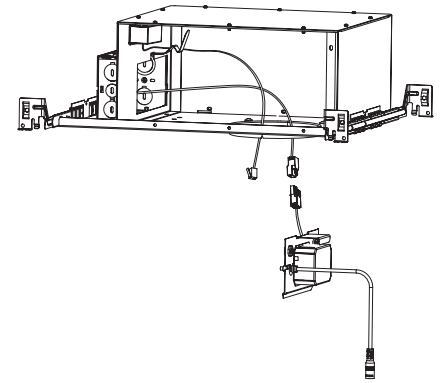


FIG. 9-4



INSTALLATION INSTRUCTION

QUARTUS ATMOSPHERE / AURORA 4" - New Construction Housing

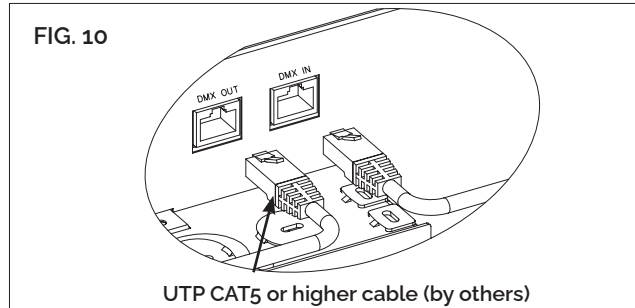


A1RT-2661, 2662, 2663-C2; A1RT-2471, 2472, 2473-C2; A1RT-2571, 2572, 2573-C2; A1RT-2661, 2471, 2571-CC

RJ45 DMX-512A CONNECTIONS & REQUIREMENTS

This housing features RJ45 DMX-512A ports. WAC recommends UTP CAT5 or higher cable (by others) (See FIG. 10).

RJ45 Pins	DMX Function
Pin 1	DMX +
Pin 2	DMX -
Pin 7	GND/Shield
All Other Pins	N/C (NO CONTROL)



1. Based on DMX best practice, WAC recommend daisy chain DMX wiring between devices for DMX runs.
2. "TREE" or "STAR" wiring topology may result in unprescribed performance and is NOT recommended.
3. Recommended maximum of 1000ft of cabling from controller to last fixture. After 32 unit loads a repeater/booster is recommended.
4. To minimize data reflections of the DMX signal, cable termination is required. If using UTP CAT5 cable, a 120Ω RJ45 termination plug is to be installed the open DMX port of the last housing in the DMX network (See FIG. 11).

