

INSTALLATION INSTRUCTION

QUARTUS ALPINE/ASTRO 2" - Trimless Remodel Housing

A1RS-3471(-DW), 3472, 3473; A1RS-3571(-DW), 3572, 3573



WARNING

IMPORTANT: NEVER attempt to do any work without shutting off the electricity.

- Read all instructions before installing.
- System is intended for installation by a qualified electrician in accordance with the National Electrical Code and local regulations.
- Go to the main fuse box, or circuit breaker. Place the main power switch in the "OFF" position and unscrew the fuse(s) or switch "OFF" the circuit breaker switch(es) that control the power to the fixture or room that you are working on.
- Place the wall switch in the "OFF" position.

AVERTISSEMENT

IMPORTANT: Coupez l'électricité avant TOUTE manipulation.

- Lisez toutes les instructions avant d'installer.
- Système est destiné à être installé par un électricien qualifié en conformité avec le code national de l'électricité et les règlements locaux.
- Accédez au panneau central de disjoncteurs ou de fusibles de votre demeure et placez l'interrupteur principal en position d'arrêt (« OFF »).
- Placez l'interrupteur mural en position d'arrêt (« OFF »).

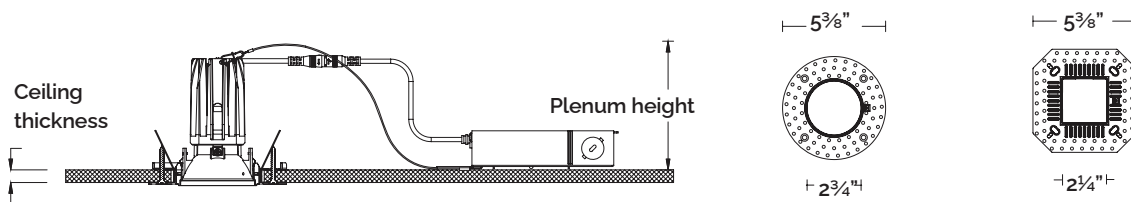
CAUTION

All parts must be used as indicated in these instructions. Do not substitute any parts, leave parts out, or use any parts that are worn out or broken. Failure to follow this instruction may invalidate the ETL/cETL listing of this fixture.

OVERVIEW:

Housing is for remodel applications. Housing requires a trim for a finished look. Refer to specification sheets for compatible trim options.

OVERALL HOUSING DIMENSION



SPECIFICATIONS	
Input	120-277V, 50/60Hz
Installation	Non-IC
Dimming	TRIAC/ELV/0-10V

INSTALLATION REQUIREMENTS	
Ceiling thickness	1/2" to 1 1/4"
Minimum required Plenum height	5 1/2"

INSTALLATION INSTRUCTION

QUARTUS ALPINE/ASTRO 2" - Trimless Remodel Housing

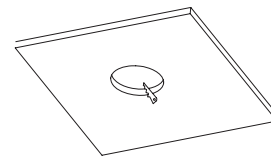
A1RS-3471(-DW), 3472, 3473; A1RS-3571(-DW), 3572, 3573



INSTALLATION ACCESSORIES

1. At the point of installation, cut a 3 5/8" round hole for a round or square trim (See FIG. 1).

FIG. 1

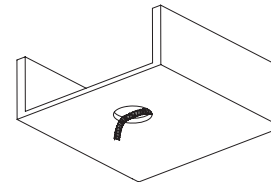


Cutout hole: 3 5/8" diameter

2. Pull building supply wires through ceiling cutout and open fixture junction box cover (See FIG. 2).

Remove desired housing knockout and feed building wires into housing using appropriate connector.

FIG. 2



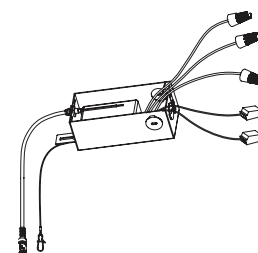
Push spring

3. Connect fixture wires to building wires: insert each supply wire into appropriate junction box connector. This fixture features electronic low voltage (ELV) or 0-10V dimming capabilities. To utilize ELV, wire black (line hot), white (line neutral), and green (ground) in accordance to dimmer specific tions.

To utilize 0-10V dimming, wire purple (dim+), pink or gray (dim-), black (line hot), white (line neutral) and green (ground) in accordance to dimmer specific tions.

When not using a dimmer, connect black fi ture wire to hot, white fixture wire to neutral and green fi ture wire to ground. Leave all other wires capped individually (See FIG. 3).

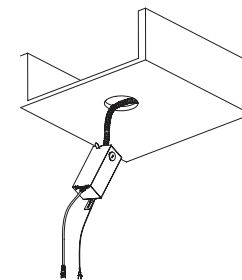
FIG. 3



Black: Hot
Green: Ground
White: Neutral
Purple: Dim(+)
Pink or gray: Dim(-)

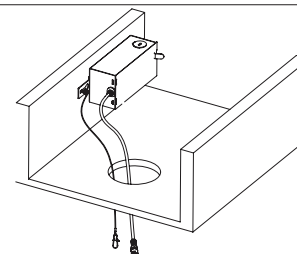
4. Place all wiring and connectors back in junction box and replace the junction box's cover (See FIG. 4).

FIG. 4



5. Guide junction box through the cut hole and secure appropriately using the external key hole (See FIG. 5).

FIG. 5



aispire.com

Phone (800) 526.2588

Fax (800) 526.2585

Headquarters

44 Harbor Park Drive,
Port Washington, NY 11050

Georgia Distribution Center

1600 Distribution Ct.,
Lithia Springs, GA 30122

Texas Distribution Center

1700 S J Elmer Weaver Fwy Suite 100,
Cedar Hill, TX 75104

California Distribution Center

1750 S Archibald Ave.,
Ontario, CA 91761

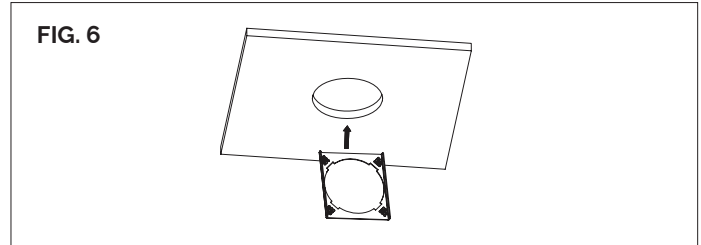
INSTALLATION INSTRUCTION

QUARTUS ALPINE/ASTRO 2" - Trimless Remodel Housing

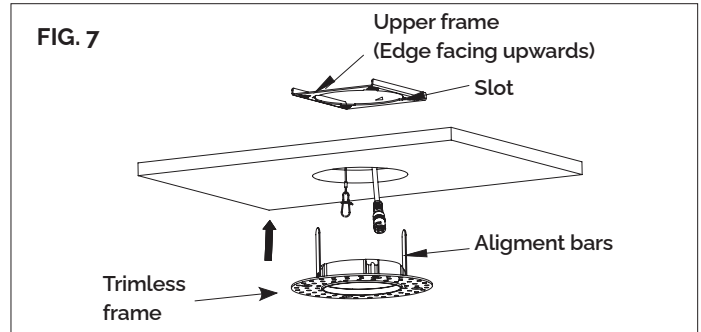
A1RS-3471(-DW), 3472, 3473; A1RS-3571(-DW), 3572, 3573



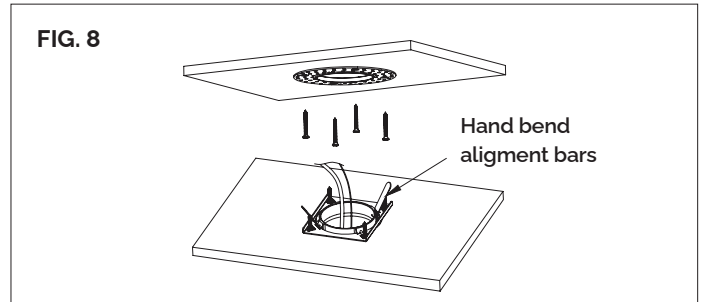
6. Insert upper frame through ceiling opening (See FIG. 6).



7. Raise trimless frame to ceiling cut out and insert alignment bars into upper frame alignment slots (See FIG. 7).

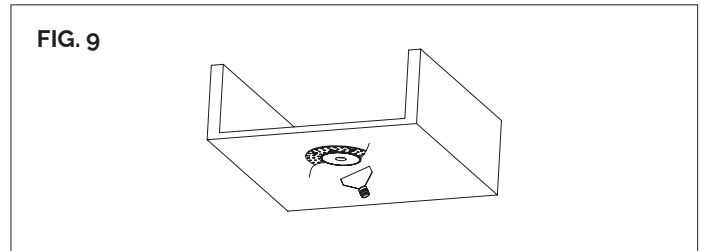


8. With upper frame and trimless frame flush with both ceiling surfaces, hand bend the alignment bars parallel to ceiling (See FIG. 8).



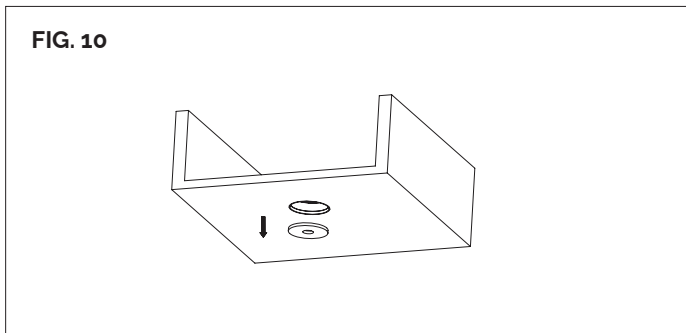
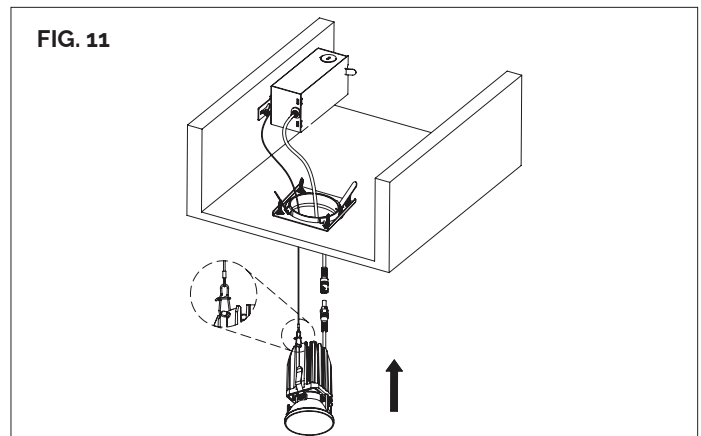
9. Insert and tighten four provided screws through countersink holes on trimless frame, through ceiling and into holes in upper frame. Do not over tighten screws (See FIG. 8).

10. Insert plaster shield inside trim opening. Apply plaster or spackle over trimless frame and sand surface dry for finished look (See FIG. 9).



11. Remove the plaster shield when finishing is complete (See FIG. 10).

12. Connect safety cable and power connector and install the trim assembly into the ceiling. Refer to installation instructions for appropriate trims to complete the installation (See FIG. 11).



aispire.com

Phone (800) 526.2588

Fax (800) 526.2585

Headquarters

44 Harbor Park Drive,

Port Washington, NY 11050

Georgia Distribution Center

1600 Distribution Ct.

Lithia Springs, GA 30122

Texas Distribution Center

1700 S J Elmer Weaver Fwy Suite 100,

Cedar Hill, TX 75104

California Distribution Center

1750 S Archibald Ave.

Ontario, CA 91761